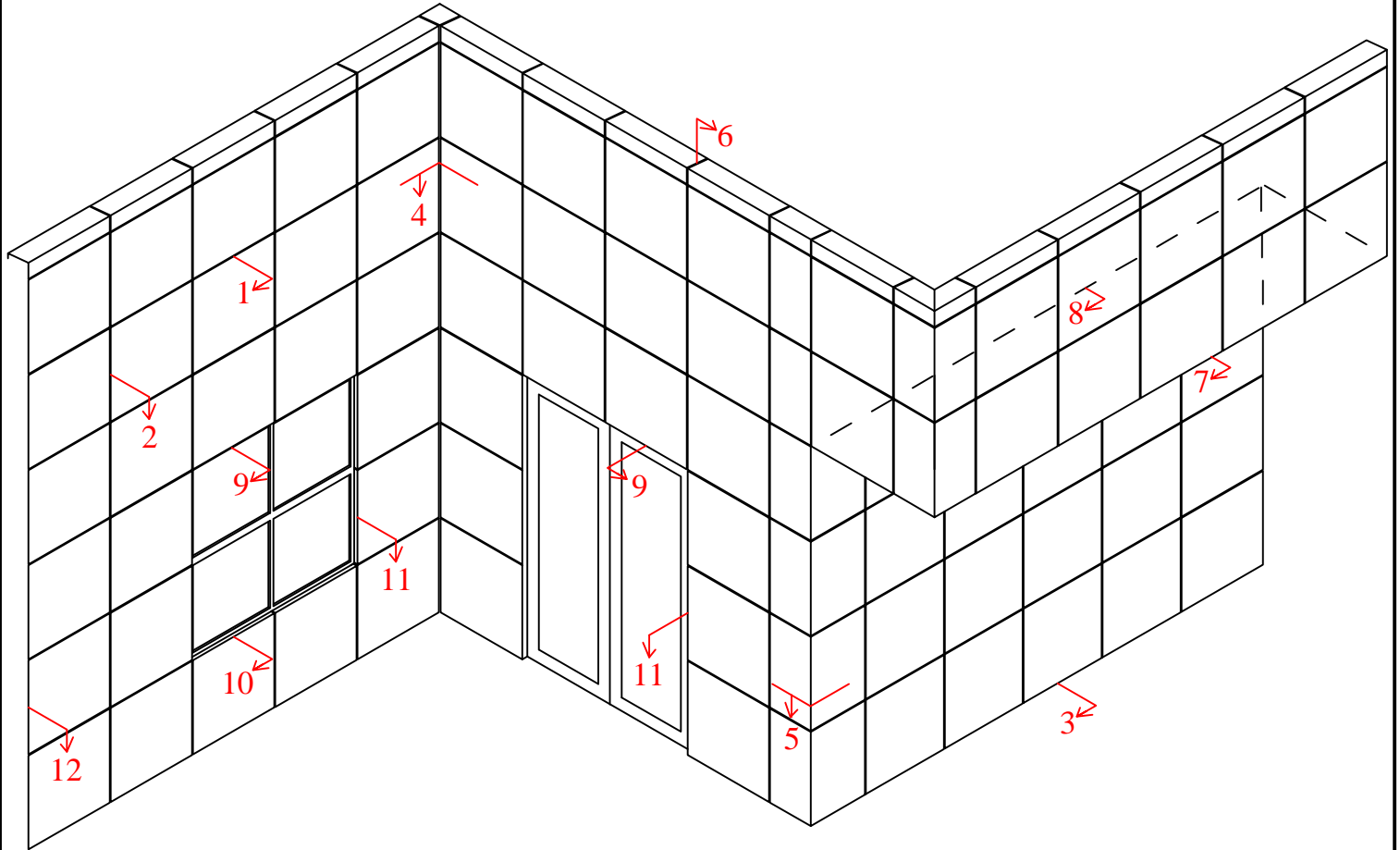


Confidentiality Notice: These Drawings are the Property of Bunting Architectural Metals. They may not be used, transferred or relied upon without Bunting Architectural Metals expressed written consent. The documents contains confidential, trade secret and privileged information. They are provided to demonstrate the materials provided meet the performance criteria and shall not be construed to convey any other meaning. In the event of default or termination, whether by cause or convenience, these drawings may not be used or transferred to another party. Any unauthorized review, use, disclosure, forwarding, or distribution is prohibited. All parties agree that any violation creates a minimum damage in excess of three million dollars.



**DETAILS**

- 1. HORIZONTAL JOINT
- 2. VERTICAL JOINT
- 3. SILL
- 4. 90° INSIDE CORNER
- 5. 90° OUTSIDE CORNER
- 6. PARAPET
- 7. FASCIA TO SOFFIT
- 8. SOFFIT TO FASCIA
- 9. HEADER
- 10. WINDOW SILL
- 11. JAMB
- 12. END



Bunting Architectural Metals  
20 River Road  
Verona, PA 15147  
Tel. - 412-820-2200  
Fax - 412-820-4404  
www.buntingarchitecturalmetals.com

DATE: JULY 16, 2020

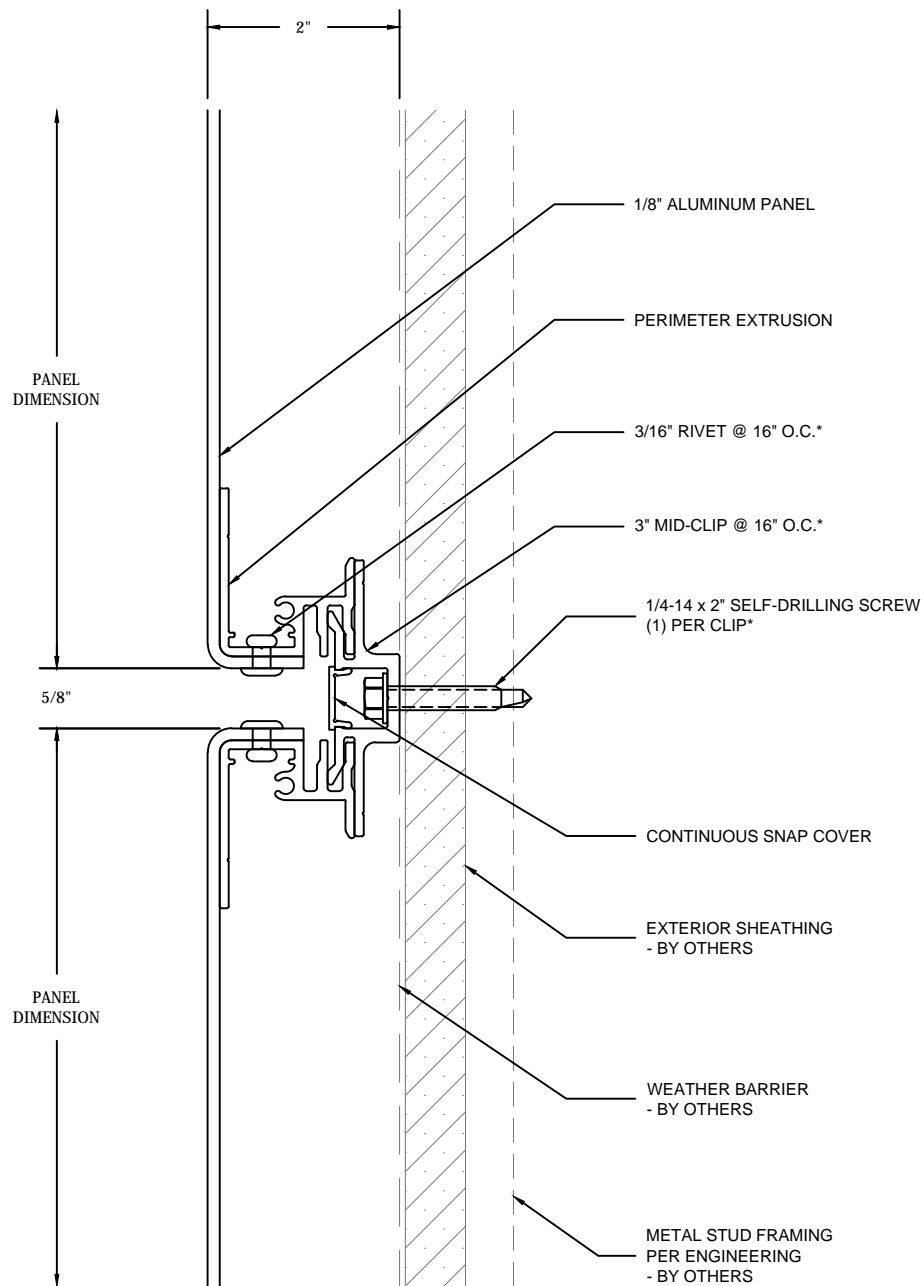
SYSTEM:

**ARIA PANELS - B SERIES**

DETAIL:

**DETAIL INDEX**

Confidentiality Notice: These Drawings are the Property of Bunting Architectural Metals. They may not be used, transferred or relied upon without Bunting Architectural Metals expressed written consent. The documents contains confidential, trade secret and privileged information. They are provided to demonstrate the materials provided meet the performance criteria and shall not be construed to convey any other meaning. In the event of default or termination, whether by cause or convenience, these drawings may not be used or transferred to another party. Any unauthorized review, use, disclosure, forwarding, or distribution is prohibited. All parties agree that any violation creates a minimum damage in excess of three million dollars.



\* SIZE AND QUANTITY SUBJECT TO CHANGE PER FINAL ENGINEERING



Bunting Architectural Metals  
20 River Road  
Verona, PA 15147  
Tel. - 412-820-2200  
Fax - 412-820-4404  
www.buntingarchitecturalmetals.com

DATE: JULY 16, 2020

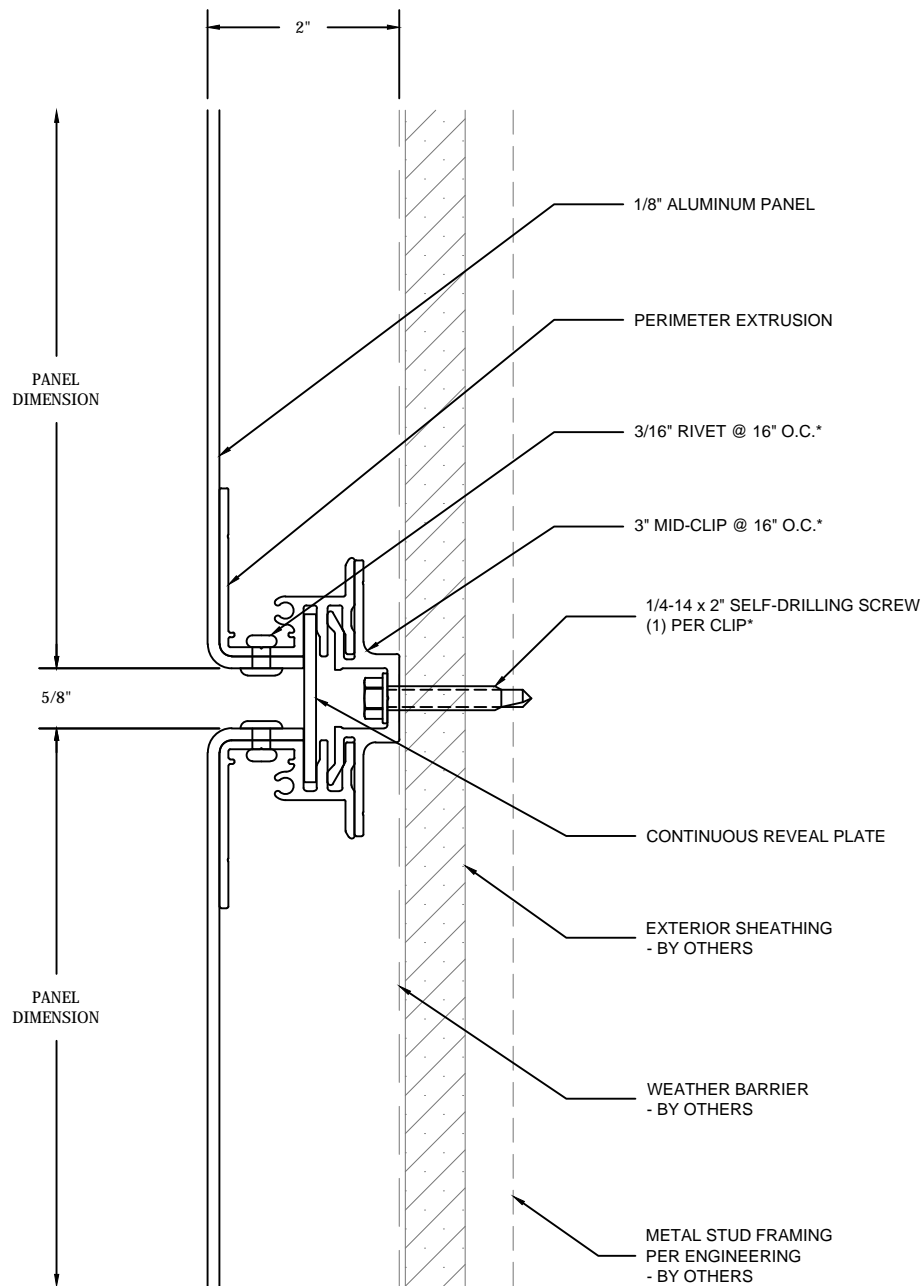
SYSTEM:

ARIA PANELS - B SERIES

DETAIL:

1/A - HORIZONTAL JOINT

Confidentiality Notice: These Drawings are the Property of Bunting Architectural Metals. They may not be used, transferred or relied upon without Bunting Architectural Metals expressed written consent. The documents contains confidential, trade secret and privileged information. They are provided to demonstrate the materials provided meet the performance criteria and shall not be construed to convey any other meaning. In the event of default or termination, whether by cause or convenience, these drawings may not be used or transferred to another party. Any unauthorized review, use, disclosure, forwarding, or distribution is prohibited. All parties agree that any violation creates a minimum damage in excess of three million dollars.



\* SIZE AND QUANTITY SUBJECT TO CHANGE PER FINAL ENGINEERING



Bunting Architectural Metals  
20 River Road  
Verona, PA 15147  
Tel. - 412-820-2200  
Fax - 412-820-4404  
www.buntingarchitecturalmetals.com

DATE: JULY 16, 2020

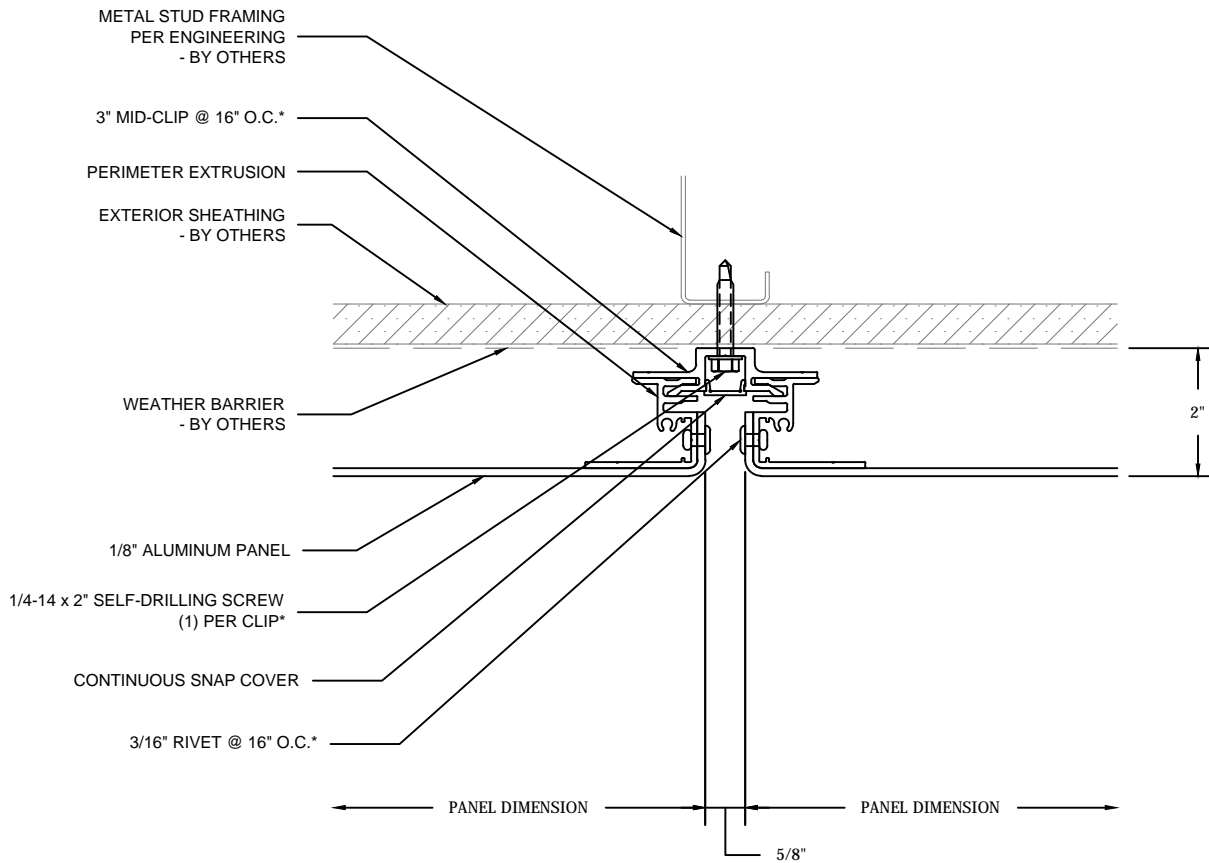
SYSTEM:

ARIA PANELS - B SERIES

DETAIL:

1/B - HORIZONTAL JOINT

Confidentiality Notice: These Drawings are the Property of Bunting Architectural Metals. They may not be used, transferred or relied upon without Bunting Architectural Metals expressed written consent. The documents contains confidential, trade secret and privileged information. They are provided to demonstrate the materials provided meet the performance criteria and shall not be construed to convey any other meaning. In the event of default or termination, whether by cause or convenience, these drawings may not be used or transferred to another party. Any unauthorized review, use, disclosure, forwarding, or distribution is prohibited. All parties agree that any violation creates a minimum damage in excess of three million dollars.



\* SIZE AND QUANTITY SUBJECT TO CHANGE PER FINAL ENGINEERING

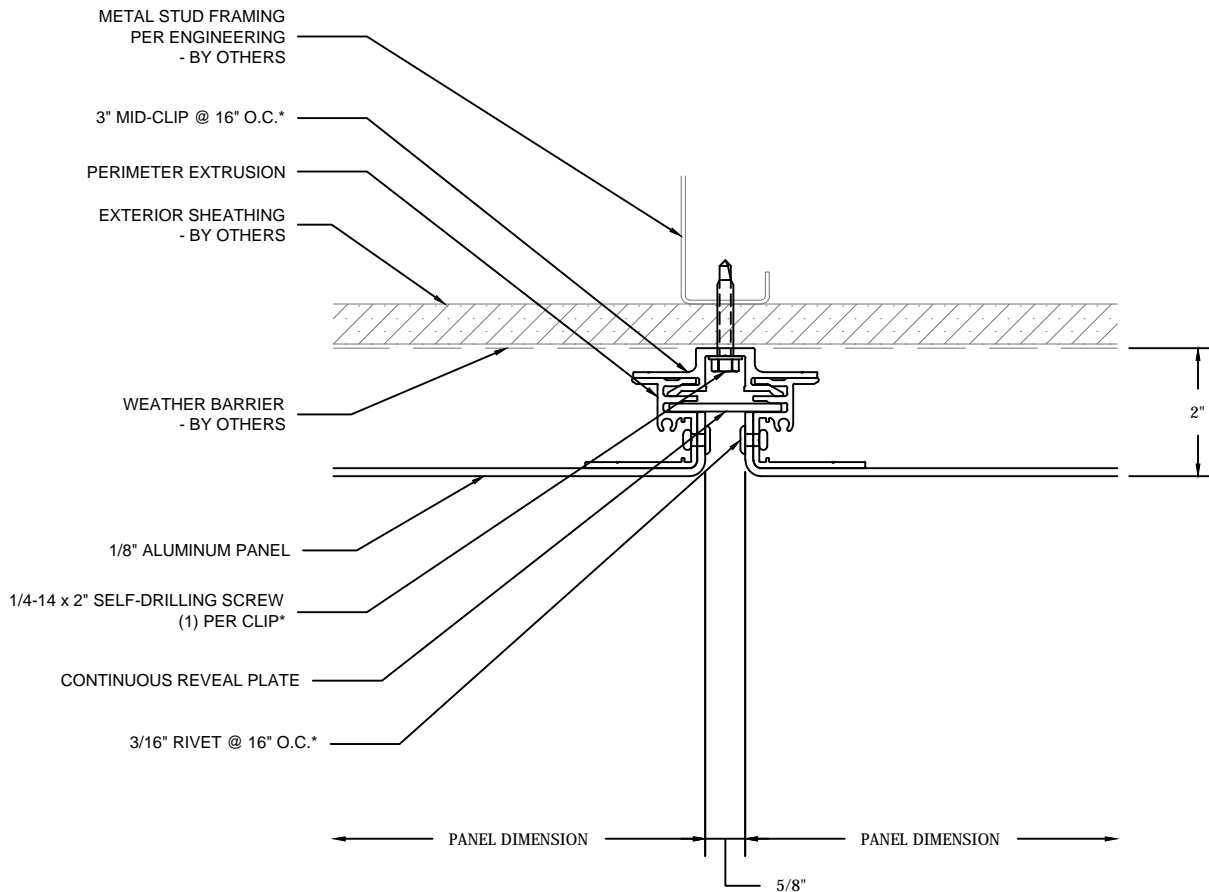


Bunting Architectural Metals  
 20 River Road  
 Verona, PA 15147  
 Tel. - 412-820-2200  
 Fax - 412-820-4404  
 www.buntingarchitecturalmetals.com  
 DATE: JULY 16, 2020

SYSTEM:  
**ARIA PANELS - B SERIES**

DETAIL:  
**2/A - VERTICAL JOINT**

Confidentiality Notice: These Drawings are the Property of Bunting Architectural Metals. They may not be used, transferred or relied upon without Bunting Architectural Metals expressed written consent. The documents contains confidential, trade secret and privileged information. They are provided to demonstrate the materials provided meet the performance criteria and shall not be construed to convey any other meaning. In the event of default or termination, whether by cause or convenience, these drawings may not be used or transferred to another party. Any unauthorized review, use, disclosure, forwarding, or distribution is prohibited. All parties agree that any violation creates a minimum damage in excess of three million dollars.



\* SIZE AND QUANTITY SUBJECT TO CHANGE PER FINAL ENGINEERING



Bunting Architectural Metals  
20 River Road  
Verona, PA 15147  
Tel. - 412-820-2200  
Fax - 412-820-4404  
www.buntingarchitecturalmetals.com

DATE: JULY 16, 2020

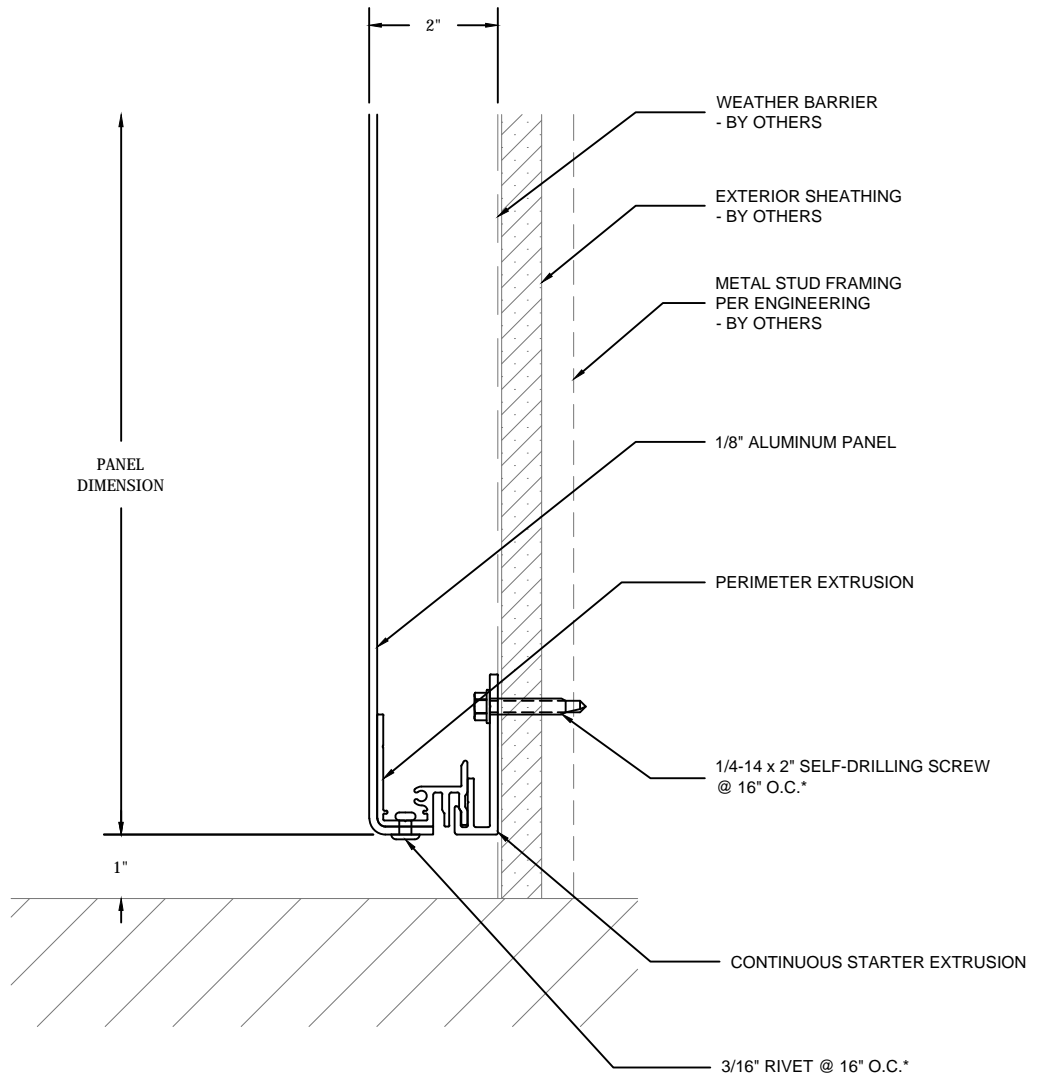
SYSTEM:

ARIA PANELS - B SERIES

DETAIL:

2/B - VERTICAL JOINT

Confidentiality Notice: These Drawings are the Property of Bunting Architectural Metals. They may not be used, transferred or relied upon without Bunting Architectural Metals expressed written consent. The documents contains confidential, trade secret and privileged information. They are provided to demonstrate the materials provided meet the performance criteria and shall not be construed to convey any other meaning. In the event of default or termination, whether by cause or convenience, these drawings may not be used or transferred to another party. Any unauthorized review, use, disclosure, forwarding, or distribution is prohibited. All parties agree that any violation creates a minimum damage in excess of three million dollars.



\* SIZE AND QUANTITY SUBJECT TO CHANGE PER FINAL ENGINEERING



Bunting Architectural Metals  
20 River Road  
Verona, PA 15147  
Tel. - 412-820-2200  
Fax - 412-820-4404  
www.buntingarchitecturalmetals.com

DATE: JULY 16, 2020

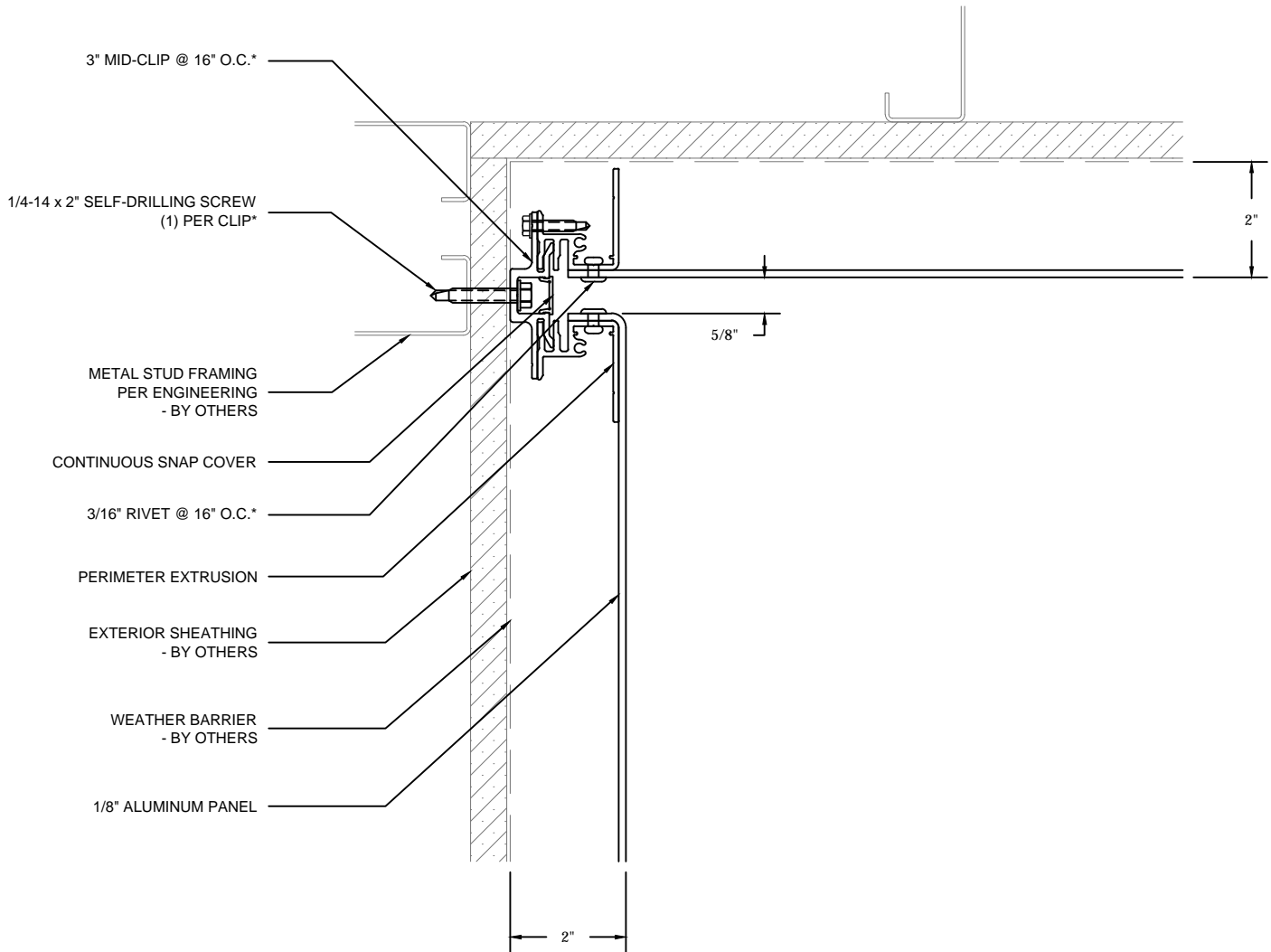
SYSTEM:

**ARIA PANELS - B SERIES**

DETAIL:

**3/A - SILL**

Confidentiality Notice: These Drawings are the Property of Bunting Architectural Metals. They may not be used, transferred or relied upon without Bunting Architectural Metals expressed written consent. The documents contains confidential, trade secret and privileged information. They are provided to demonstrate the materials provided meet the performance criteria and shall not be construed to convey any other meaning. In the event of default or termination, whether by cause or convenience, these drawings may not be used or transferred to another party. Any unauthorized review, use, disclosure, forwarding, or distribution is prohibited. All parties agree that any violation creates a minimum damage in excess of three million dollars.



\* SIZE AND QUANTITY SUBJECT TO CHANGE PER FINAL ENGINEERING



Bunting Architectural Metals  
20 River Road  
Verona, PA 15147  
Tel. - 412-820-2200  
Fax - 412-820-4404  
www.buntingarchitecturalmetals.com

DATE: JULY 16, 2020

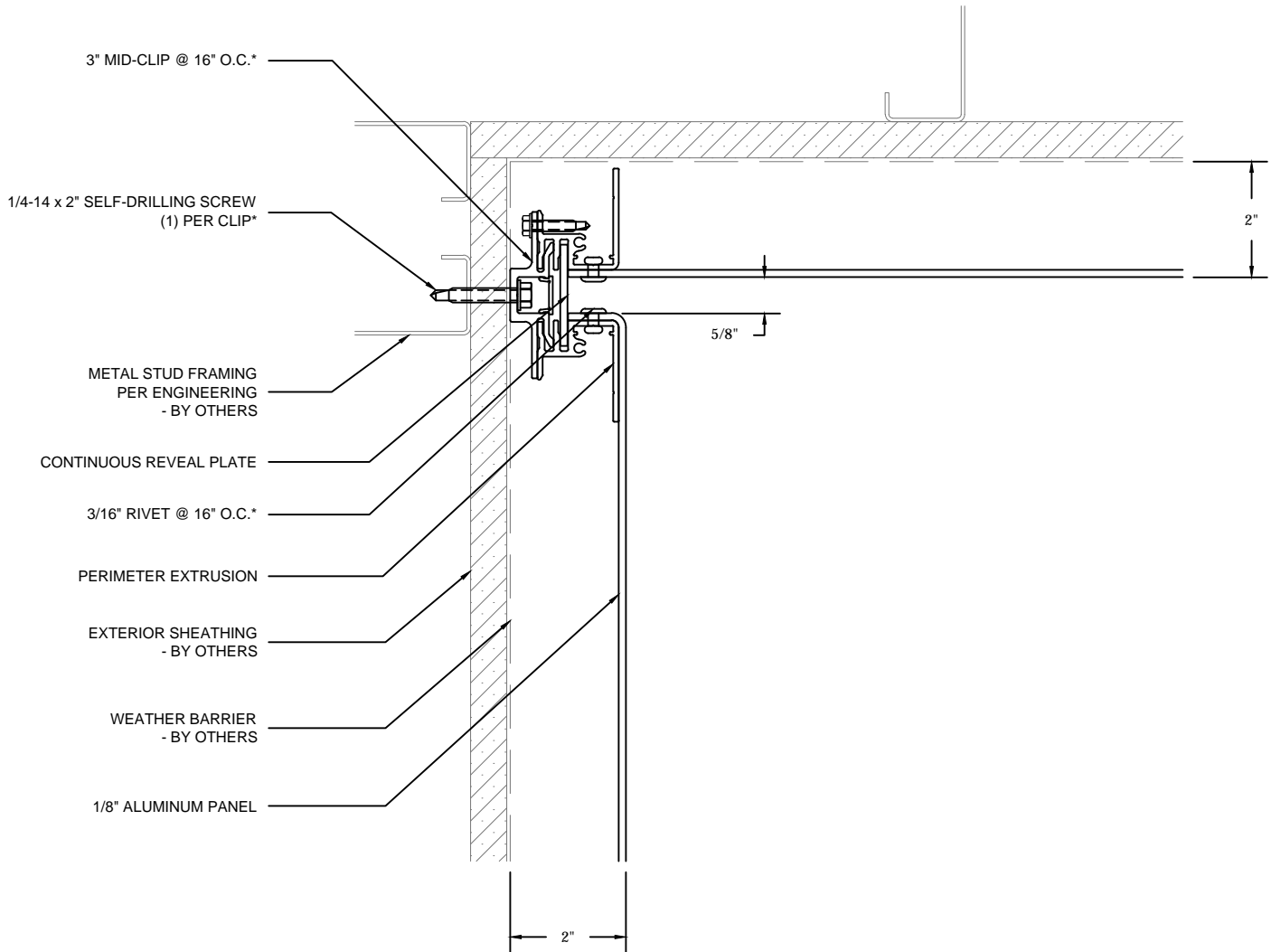
SYSTEM:

ARIA PANELS - B SERIES

DETAIL:

4/A - 90° INSIDE CORNER

Confidentiality Notice: These Drawings are the Property of Bunting Architectural Metals. They may not be used, transferred or relied upon without Bunting Architectural Metals expressed written consent. The documents contains confidential, trade secret and privileged information. They are provided to demonstrate the materials provided meet the performance criteria and shall not be construed to convey any other meaning. In the event of default or termination, whether by cause or convenience, these drawings may not be used or transferred to another party. Any unauthorized review, use, disclosure, forwarding, or distribution is prohibited. All parties agree that any violation creates a minimum damage in excess of three million dollars.



\* SIZE AND QUANTITY SUBJECT TO CHANGE PER FINAL ENGINEERING



Bunting Architectural Metals  
20 River Road  
Verona, PA 15147  
Tel. - 412-820-2200  
Fax - 412-820-4404  
www.buntingarchitecturalmetals.com

DATE: JULY 16, 2020

SYSTEM:

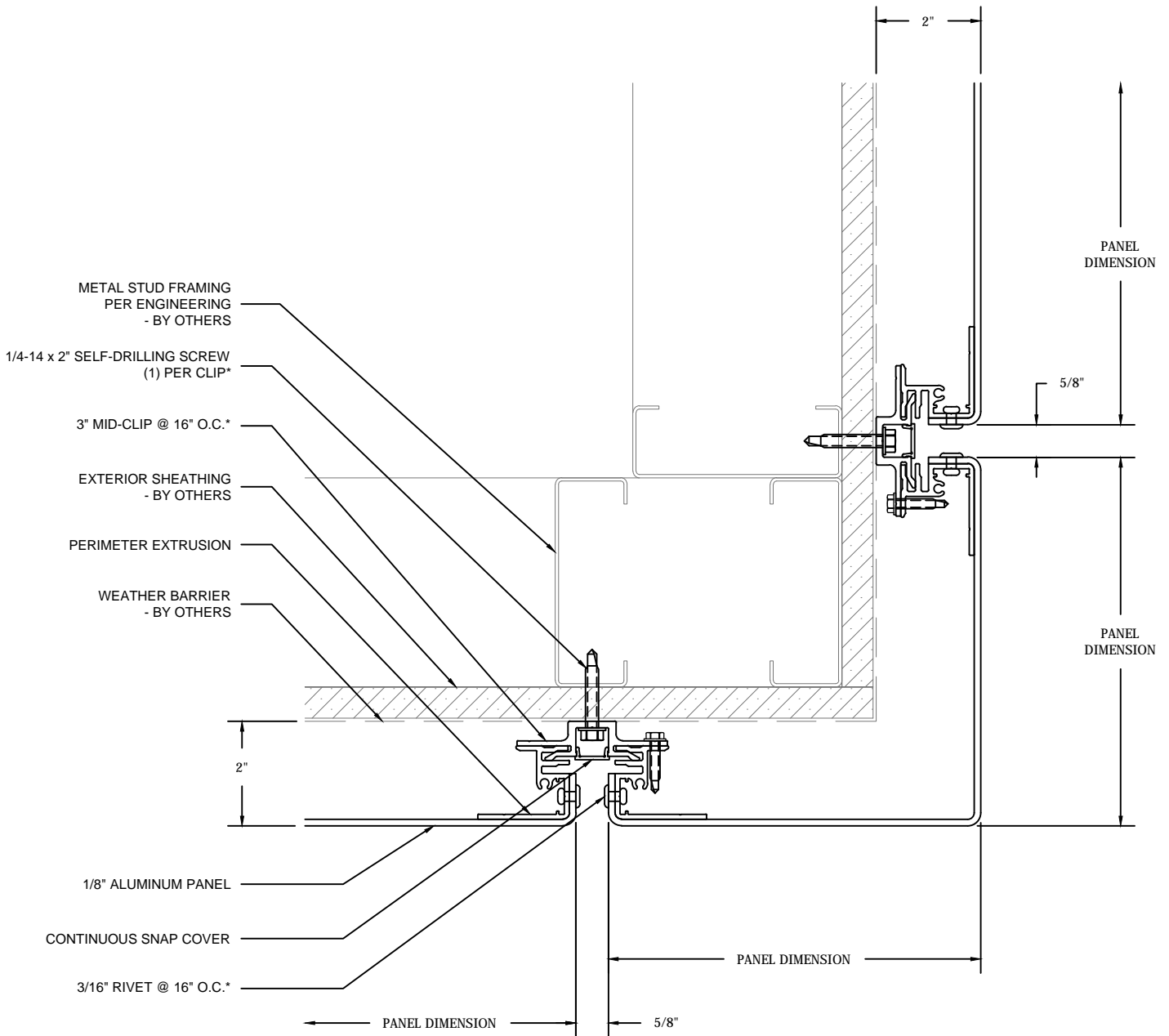
ARIA PANELS - B SERIES

DETAIL:

4/B - 90° INSIDE CORNER



Confidentiality Notice: These Drawings are the Property of Bunting Architectural Metals. They may not be used, transferred or relied upon without Bunting Architectural Metals expressed written consent. The documents contains confidential, trade secret and privileged information. They are provided to demonstrate the materials provided meet the performance criteria and shall not be construed to convey any other meaning. In the event of default or termination, whether by cause or convenience, these drawings may not be used or transferred to another party. Any unauthorized review, use, disclosure, forwarding, or distribution is prohibited. All parties agree that any violation creates a minimum damage in excess of three million dollars.



\* SIZE AND QUANTITY SUBJECT TO CHANGE PER FINAL ENGINEERING



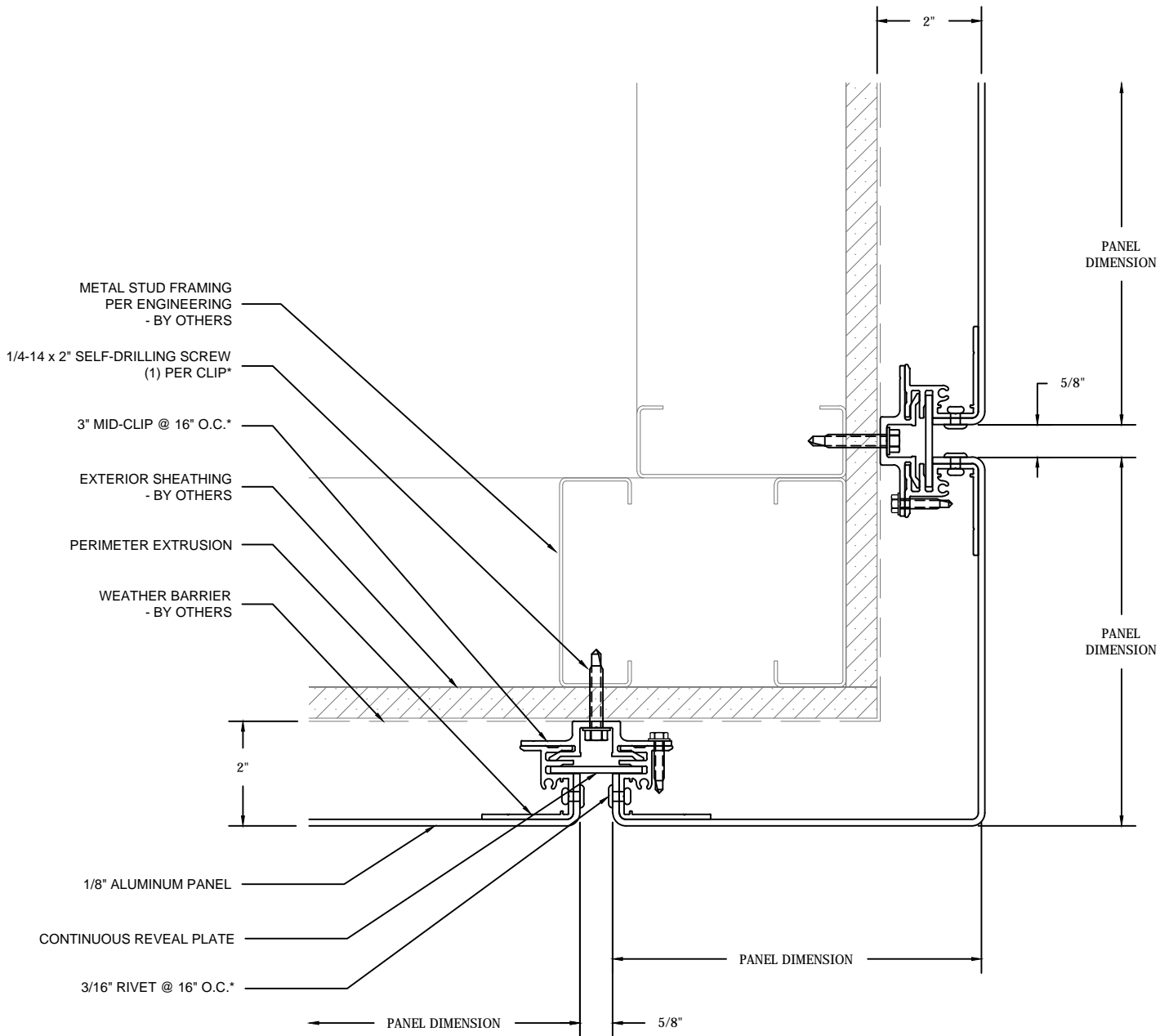
Bunting Architectural Metals  
20 River Road  
Verona, PA 15147  
Tel. - 412-820-2200  
Fax - 412-820-4404  
www.buntingarchitecturalmetals.com

DATE: JULY 16, 2020

SYSTEM:  
**ARIA PANELS - B SERIES**

DETAIL:  
**5/A - 90° OUTSIDE CORNER**

Confidentiality Notice: These Drawings are the Property of Bunting Architectural Metals. They may not be used, transferred or relied upon without Bunting Architectural Metals expressed written consent. The documents contains confidential, trade secret and privileged information. They are provided to demonstrate the materials provided meet the performance criteria and shall not be construed to convey any other meaning. In the event of default or termination, whether by cause or convenience, these drawings may not be used or transferred to another party. Any unauthorized review, use, disclosure, forwarding, or distribution is prohibited. All parties agree that any violation creates a minimum damage in excess of three million dollars.



\* SIZE AND QUANTITY SUBJECT TO CHANGE PER FINAL ENGINEERING



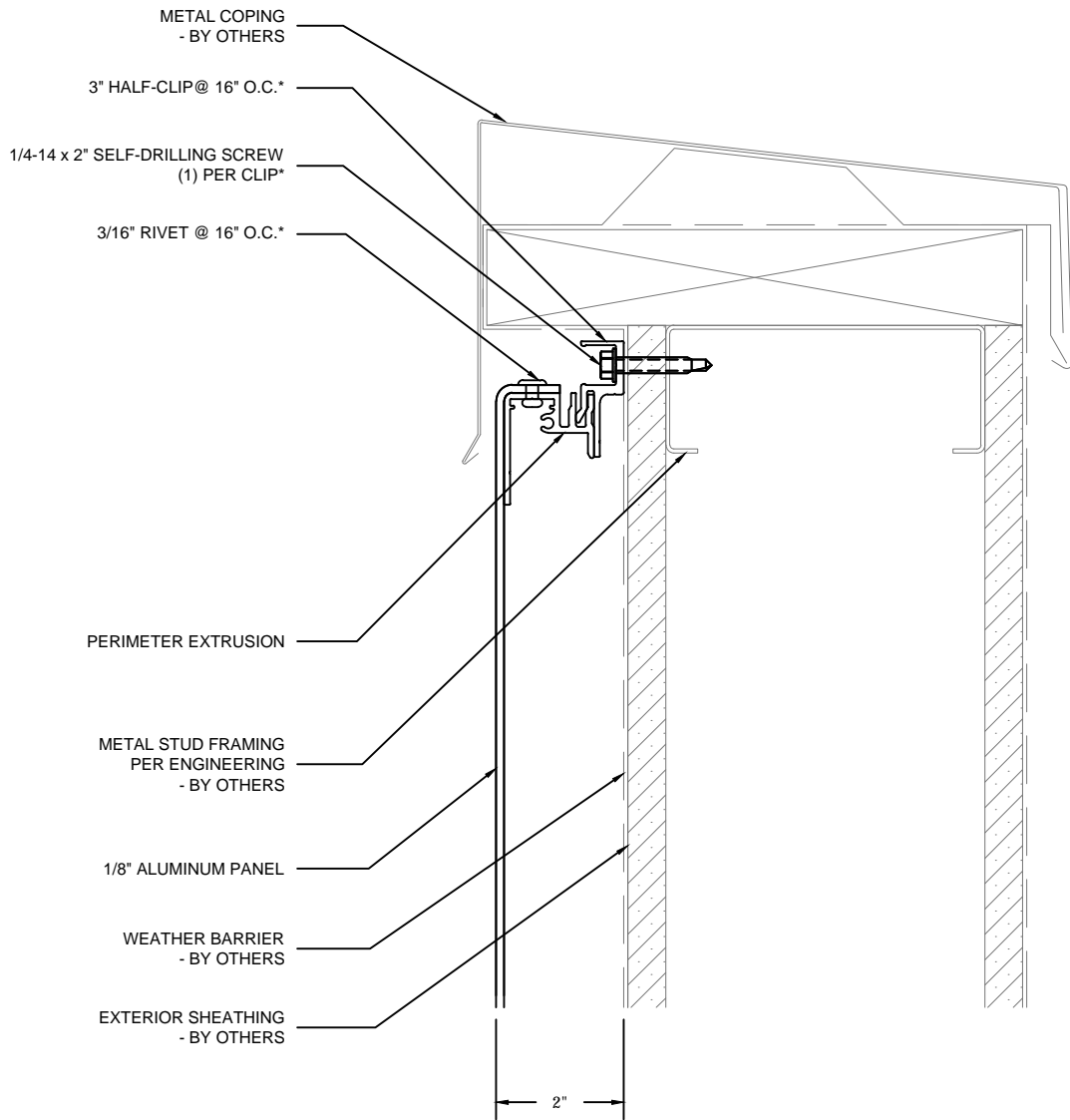
Bunting Architectural Metals  
20 River Road  
Verona, PA 15147  
Tel. - 412-820-2200  
Fax - 412-820-4404  
www.buntingarchitecturalmetals.com

DATE: JULY 16, 2020

SYSTEM:  
**ARIA PANELS - B SERIES**

DETAIL:  
**5/B - 90° OUTSIDE CORNER**

Confidentiality Notice: These Drawings are the Property of Bunting Architectural Metals. They may not be used, transferred or relied upon without Bunting Architectural Metals expressed written consent. The documents contains confidential, trade secret and privileged information. They are provided to demonstrate the materials provided meet the performance criteria and shall not be construed to convey any other meaning. In the event of default or termination, whether by cause or convenience, these drawings may not be used or transferred to another party. Any unauthorized review, use, disclosure, forwarding, or distribution is prohibited. All parties agree that any violation creates a minimum damage in excess of three million dollars.



\* SIZE AND QUANTITY SUBJECT TO CHANGE PER FINAL ENGINEERING



Bunting Architectural Metals  
20 River Road  
Verona, PA 15147  
Tel. - 412-820-2200  
Fax - 412-820-4404  
www.buntingarchitecturalmetals.com

DATE: JULY 16, 2020

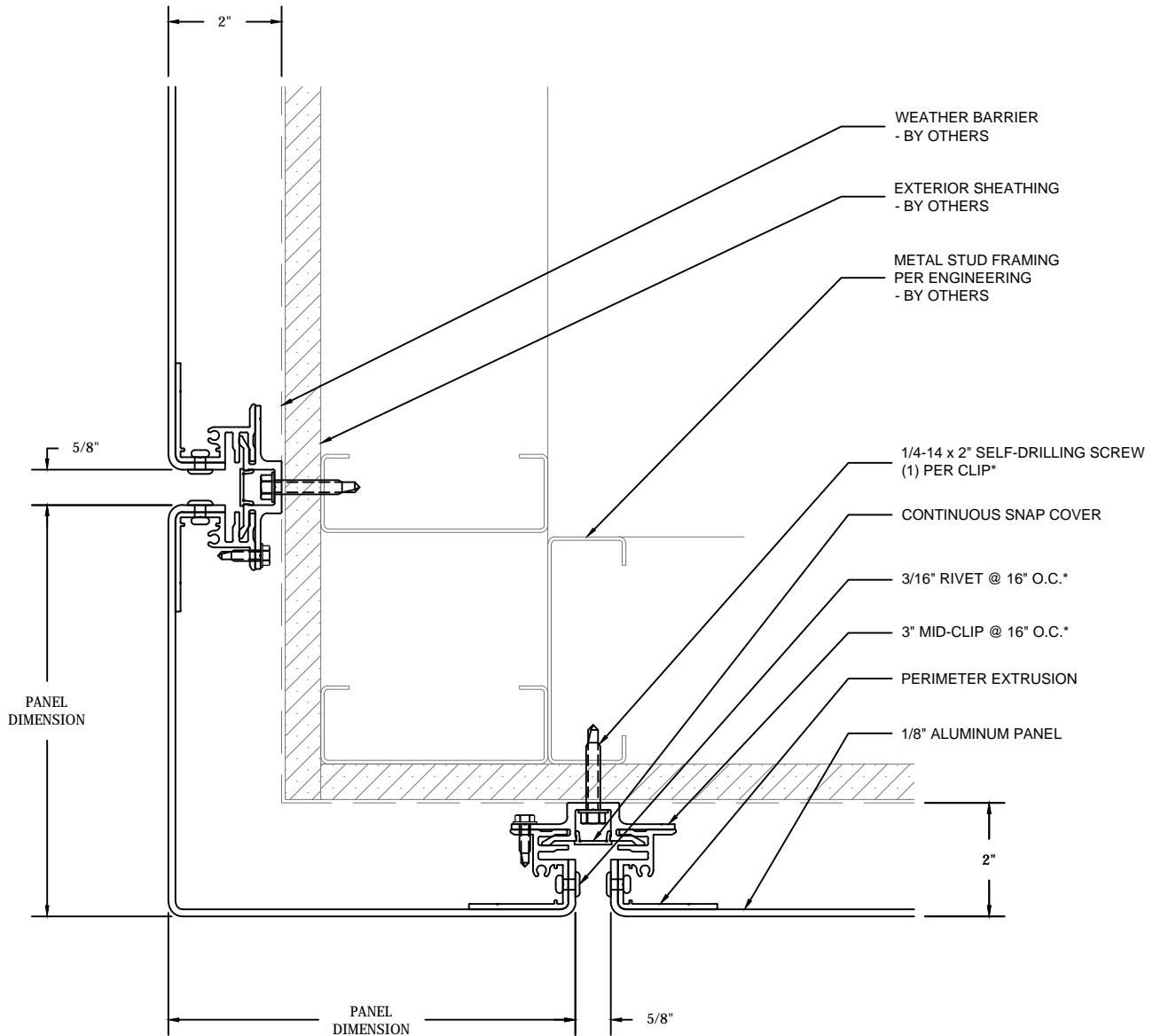
SYSTEM:

ARIA PANELS - B SERIES

DETAIL:

6/A - PARAPET

Confidentiality Notice: These Drawings are the Property of Bunting Architectural Metals. They may not be used, transferred or relied upon without Bunting Architectural Metals expressed written consent. The documents contains confidential, trade secret and privileged information. They are provided to demonstrate the materials provided meet the performance criteria and shall not be construed to convey any other meaning. In the event of default or termination, whether by cause or convenience, these drawings may not be used or transferred to another party. Any unauthorized review, use, disclosure, forwarding, or distribution is prohibited. All parties agree that any violation creates a minimum damage in excess of three million dollars.



\* SIZE AND QUANTITY SUBJECT TO CHANGE PER FINAL ENGINEERING



Bunting Architectural Metals  
20 River Road  
Verona, PA 15147  
Tel. - 412-820-2200  
Fax - 412-820-4404  
www.buntingarchitecturalmetals.com

DATE: JULY 16, 2020

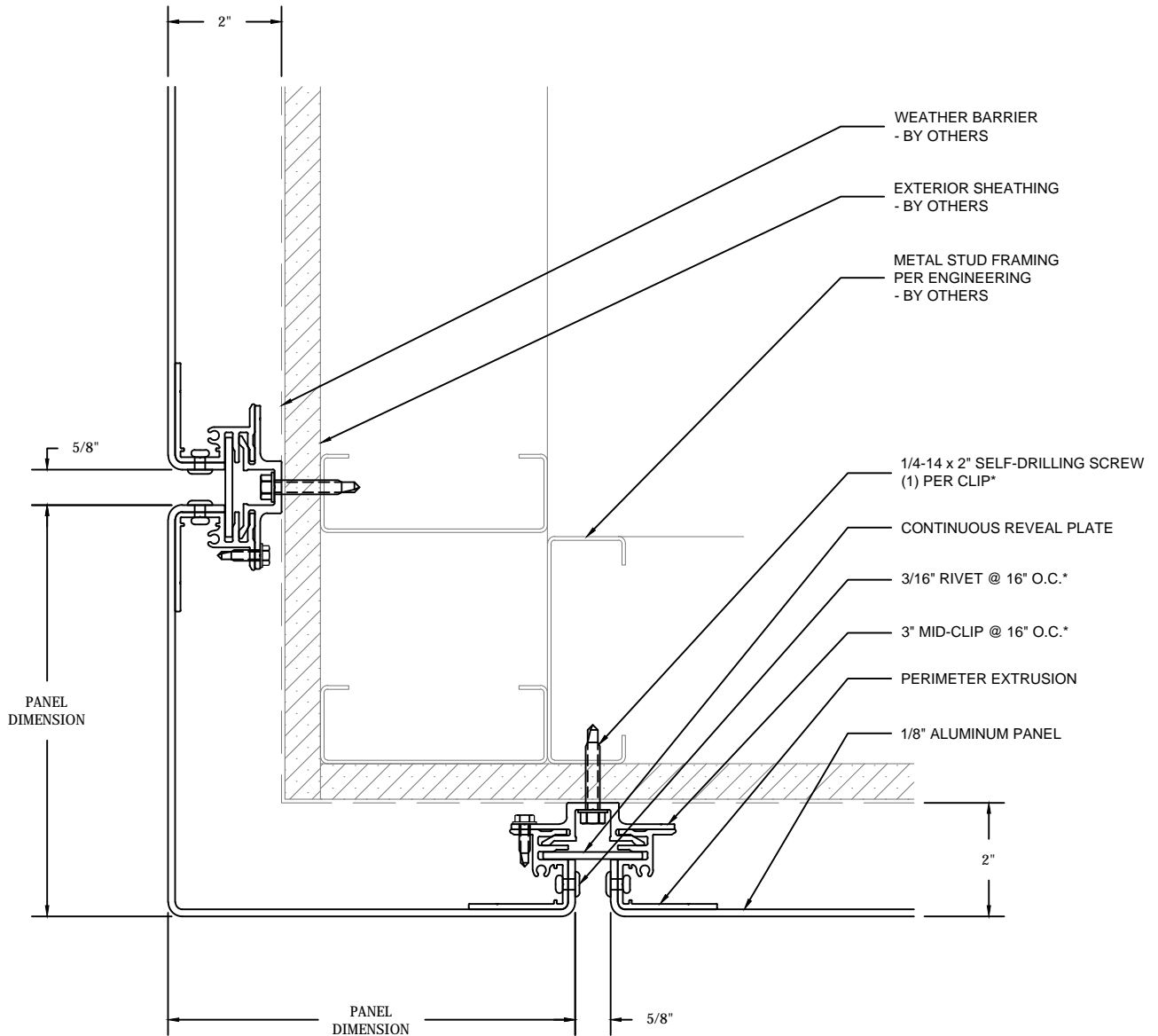
SYSTEM:

ARIA PANELS - B SERIES

DETAIL:

7/A - FASCIA TO SOFFIT

Confidentiality Notice: These Drawings are the Property of Bunting Architectural Metals. They may not be used, transferred or relied upon without Bunting Architectural Metals expressed written consent. The documents contains confidential, trade secret and privileged information. They are provided to demonstrate the materials provided meet the performance criteria and shall not be construed to convey any other meaning. In the event of default or termination, whether by cause or convenience, these drawings may not be used or transferred to another party. Any unauthorized review, use, disclosure, forwarding, or distribution is prohibited. All parties agree that any violation creates a minimum damage in excess of three million dollars.



\* SIZE AND QUANTITY SUBJECT TO CHANGE PER FINAL ENGINEERING

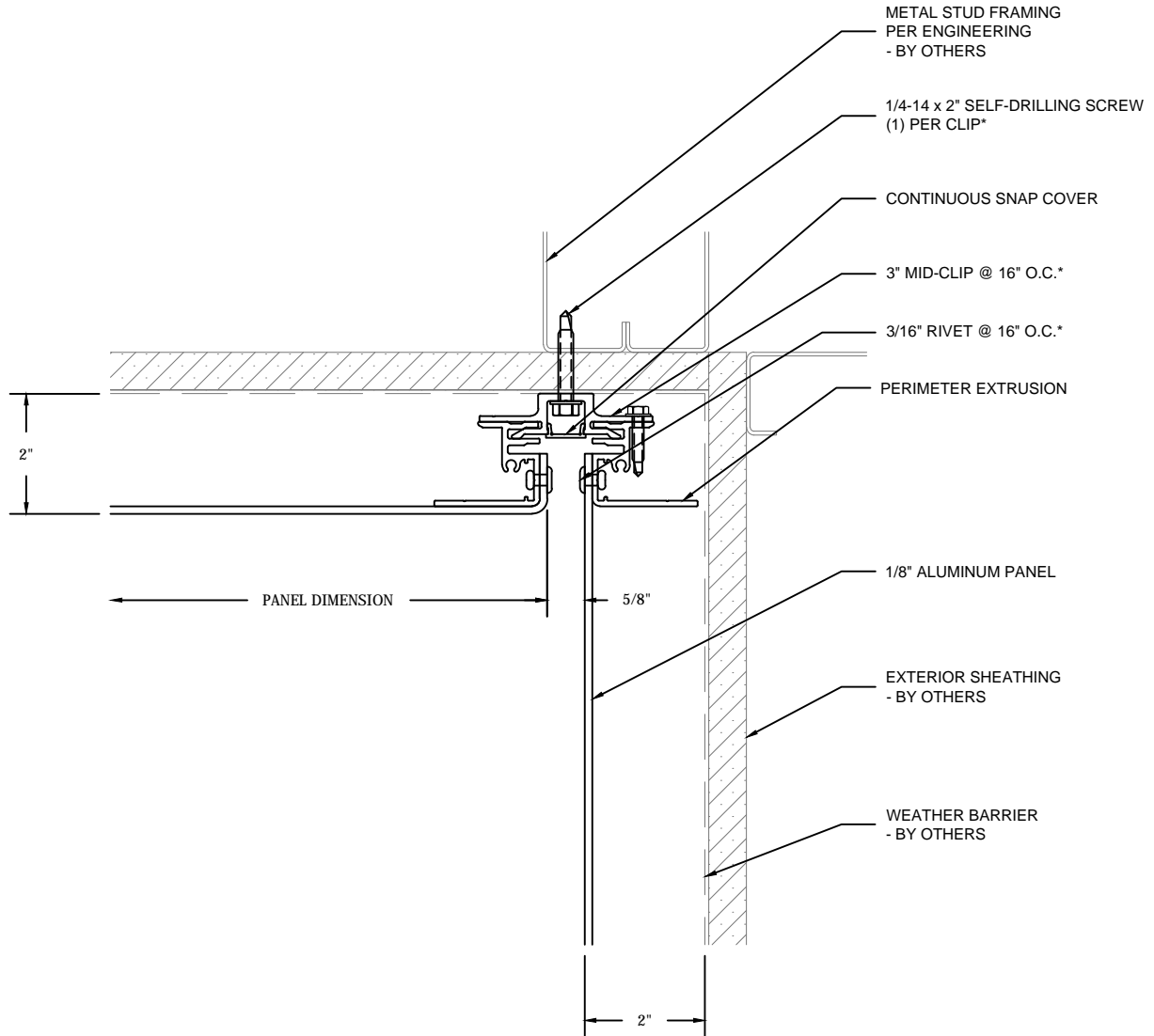


Bunting Architectural Metals  
 20 River Road  
 Verona, PA 15147  
 Tel. - 412-820-2200  
 Fax - 412-820-4404  
 www.buntingarchitecturalmetals.com  
 DATE: JULY 16, 2020

SYSTEM:  
**ARIA PANELS - B SERIES**

DETAIL:  
**7/B - FASCIA TO SOFFIT**

Confidentiality Notice: These Drawings are the Property of Bunting Architectural Metals. They may not be used, transferred or relied upon without Bunting Architectural Metals expressed written consent. The documents contains confidential, trade secret and privileged information. They are provided to demonstrate the materials provided meet the performance criteria and shall not be construed to convey any other meaning. In the event of default or termination, whether by cause or convenience, these drawings may not be used or transferred to another party. Any unauthorized review, use, disclosure, forwarding, or distribution is prohibited. All parties agree that any violation creates a minimum damage in excess of three million dollars.



\* SIZE AND QUANTITY SUBJECT TO CHANGE PER FINAL ENGINEERING



Bunting Architectural Metals  
 20 River Road  
 Verona, PA 15147  
 Tel. - 412-820-2200  
 Fax - 412-820-4404  
 www.buntingarchitecturalmetals.com

DATE: JULY 16, 2020

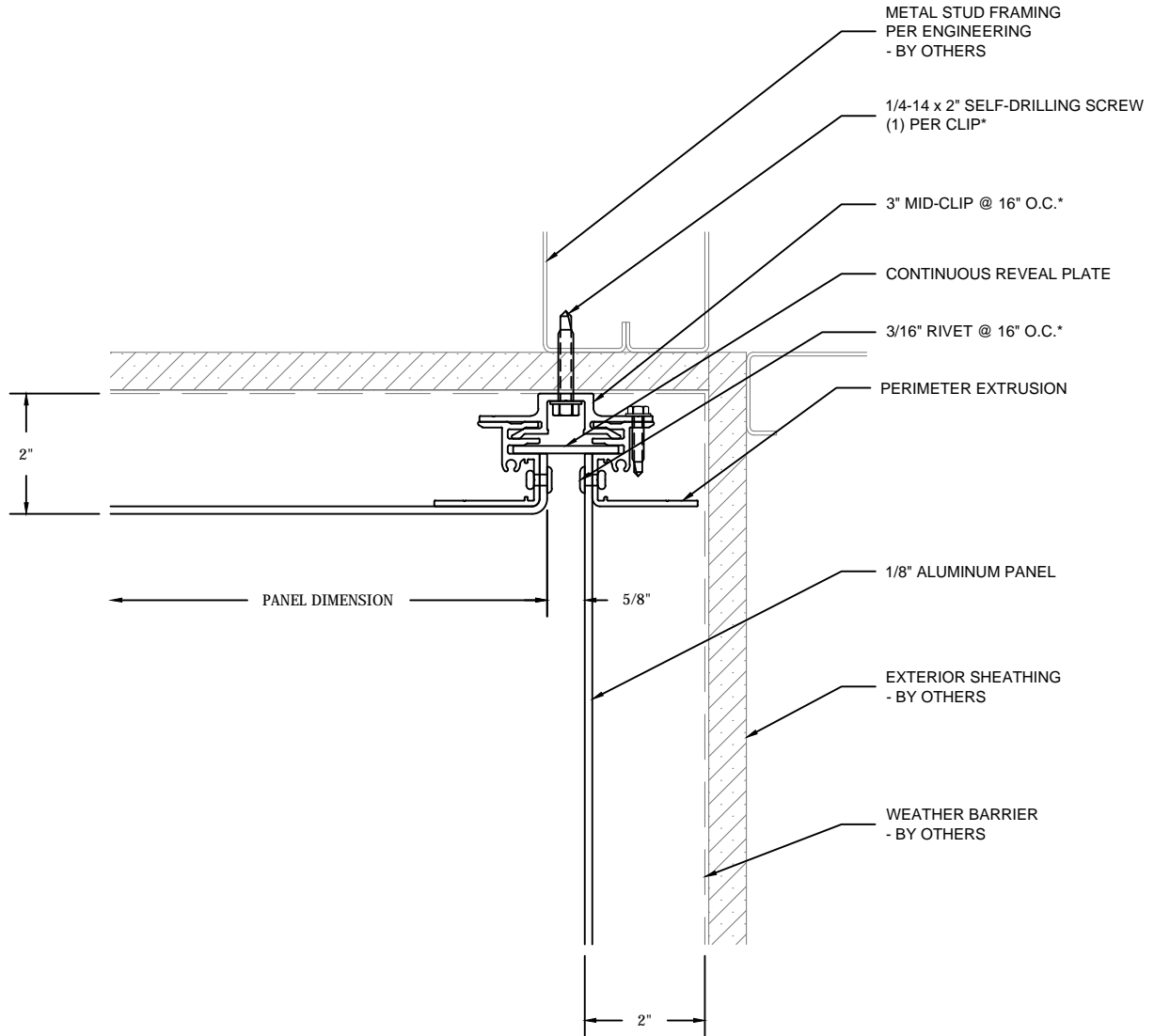
SYSTEM:

ARIA PANELS - B SERIES

DETAIL:

8/A - SOFFIT TO FASCIA

Confidentiality Notice: These Drawings are the Property of Bunting Architectural Metals. They may not be used, transferred or relied upon without Bunting Architectural Metals expressed written consent. The documents contains confidential, trade secret and privileged information. They are provided to demonstrate the materials provided meet the performance criteria and shall not be construed to convey any other meaning. In the event of default or termination, whether by cause or convenience, these drawings may not be used or transferred to another party. Any unauthorized review, use, disclosure, forwarding, or distribution is prohibited. All parties agree that any violation creates a minimum damage in excess of three million dollars.



\* SIZE AND QUANTITY SUBJECT TO CHANGE PER FINAL ENGINEERING



Bunting Architectural Metals  
20 River Road  
Verona, PA 15147  
Tel. - 412-820-2200  
Fax - 412-820-4404  
www.buntingarchitecturalmetals.com

DATE: JULY 16, 2020

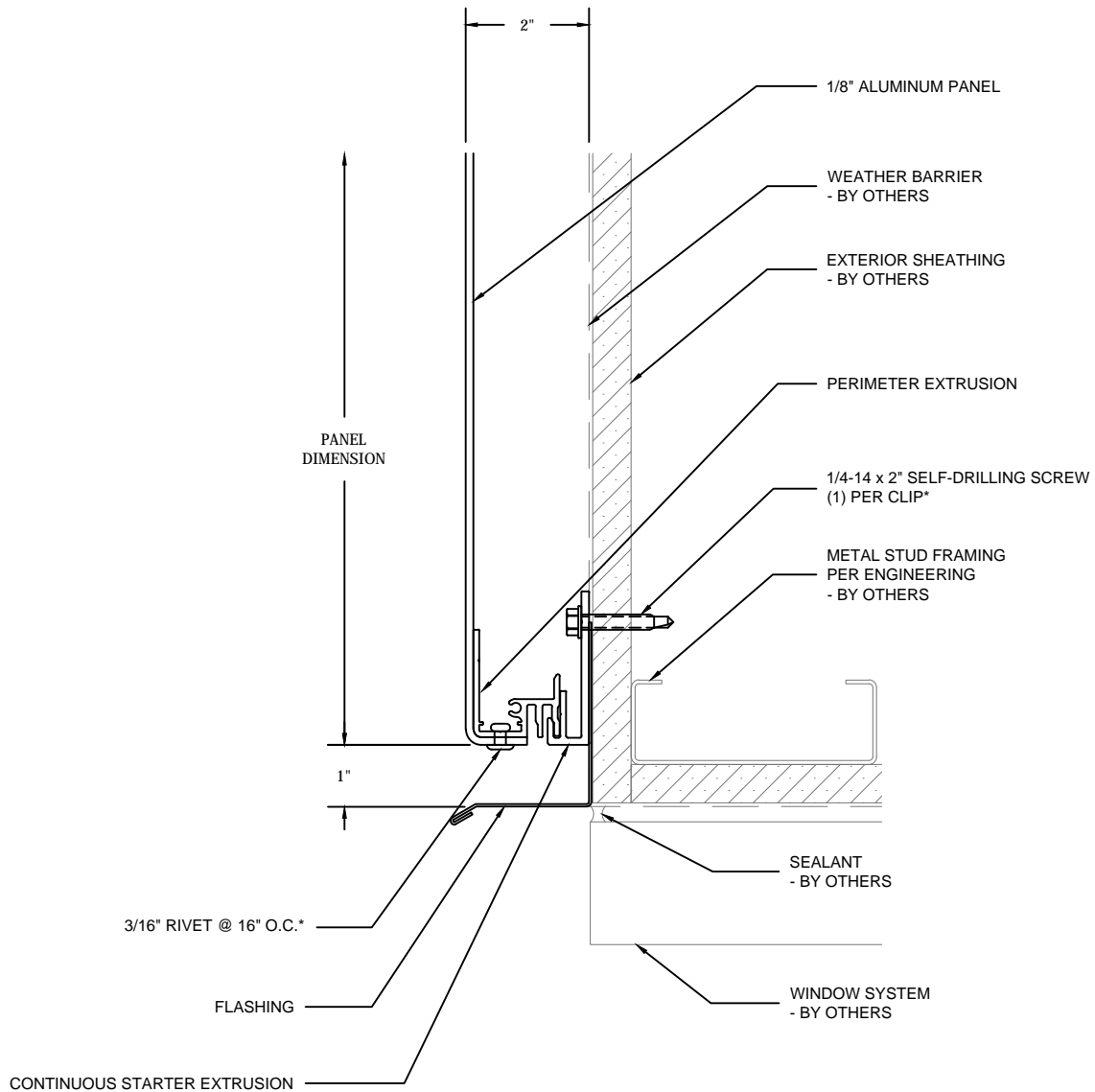
SYSTEM:

ARIA PANELS - B SERIES

DETAIL:

8/A - SOFFIT TO FASCIA

Confidentiality Notice: These Drawings are the Property of Bunting Architectural Metals. They may not be used, transferred or relied upon without Bunting Architectural Metals expressed written consent. The documents contains confidential, trade secret and privileged information. They are provided to demonstrate the materials provided meet the performance criteria and shall not be construed to convey any other meaning. In the event of default or termination, whether by cause or convenience, these drawings may not be used or transferred to another party. Any unauthorized review, use, disclosure, forwarding, or distribution is prohibited. All parties agree that any violation creates a minimum damage in excess of three million dollars.



\* SIZE AND QUANTITY SUBJECT TO CHANGE PER FINAL ENGINEERING



Bunting Architectural Metals  
20 River Road  
Verona, PA 15147  
Tel. - 412-820-2200  
Fax - 412-820-4404  
www.buntingarchitecturalmetals.com

DATE: JULY 16, 2020

SYSTEM:

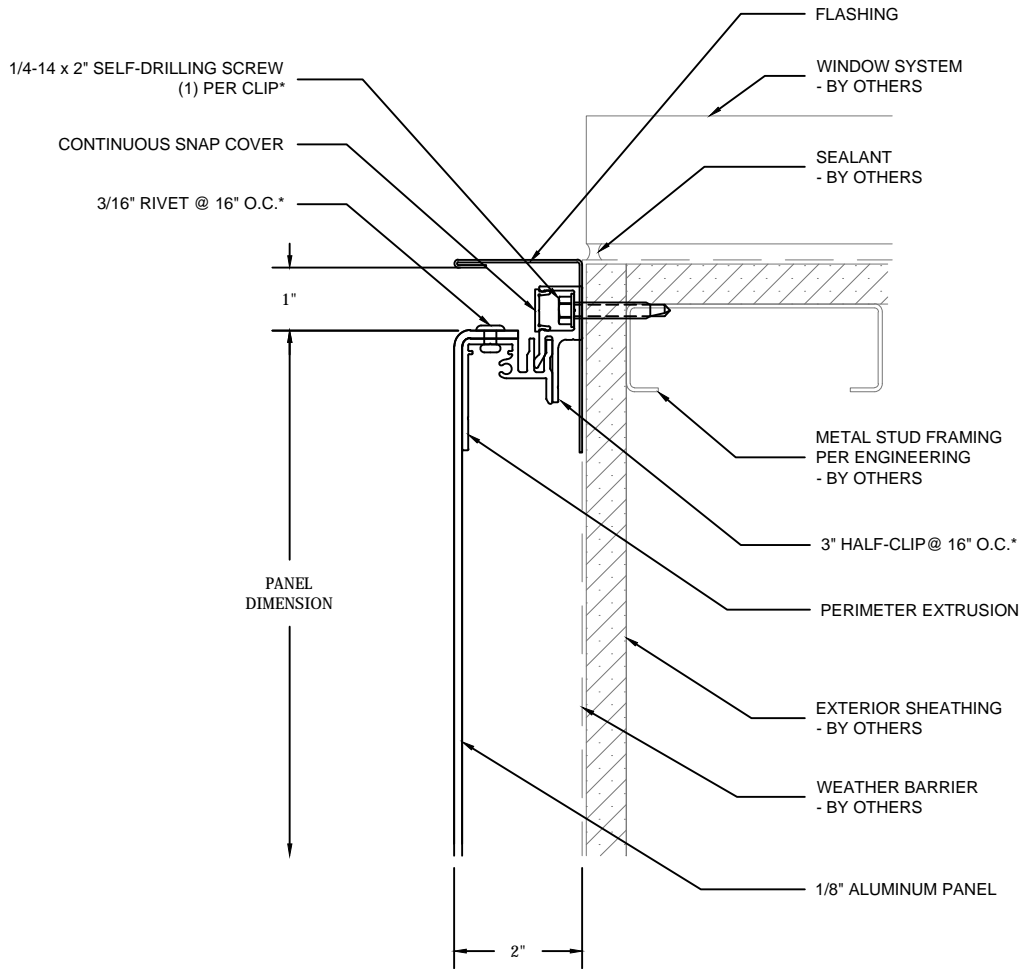
ARIA PANELS - B SERIES

DETAIL:

9/A - HEADER CONDITION



Confidentiality Notice: These Drawings are the Property of Bunting Architectural Metals. They may not be used, transferred or relied upon without Bunting Architectural Metals expressed written consent. The documents contains confidential, trade secret and privileged information. They are provided to demonstrate the materials provided meet the performance criteria and shall not be construed to convey any other meaning. In the event of default or termination, whether by cause or convenience, these drawings may not be used or transferred to another party. Any unauthorized review, use, disclosure, forwarding, or distribution is prohibited. All parties agree that any violation creates a minimum damage in excess of three million dollars.



\* SIZE AND QUANTITY SUBJECT TO CHANGE PER FINAL ENGINEERING



Bunting Architectural Metals  
20 River Road  
Verona, PA 15147  
Tel. - 412-820-2200  
Fax - 412-820-4404  
www.buntingarchitecturalmetals.com

DATE: JULY 16, 2020

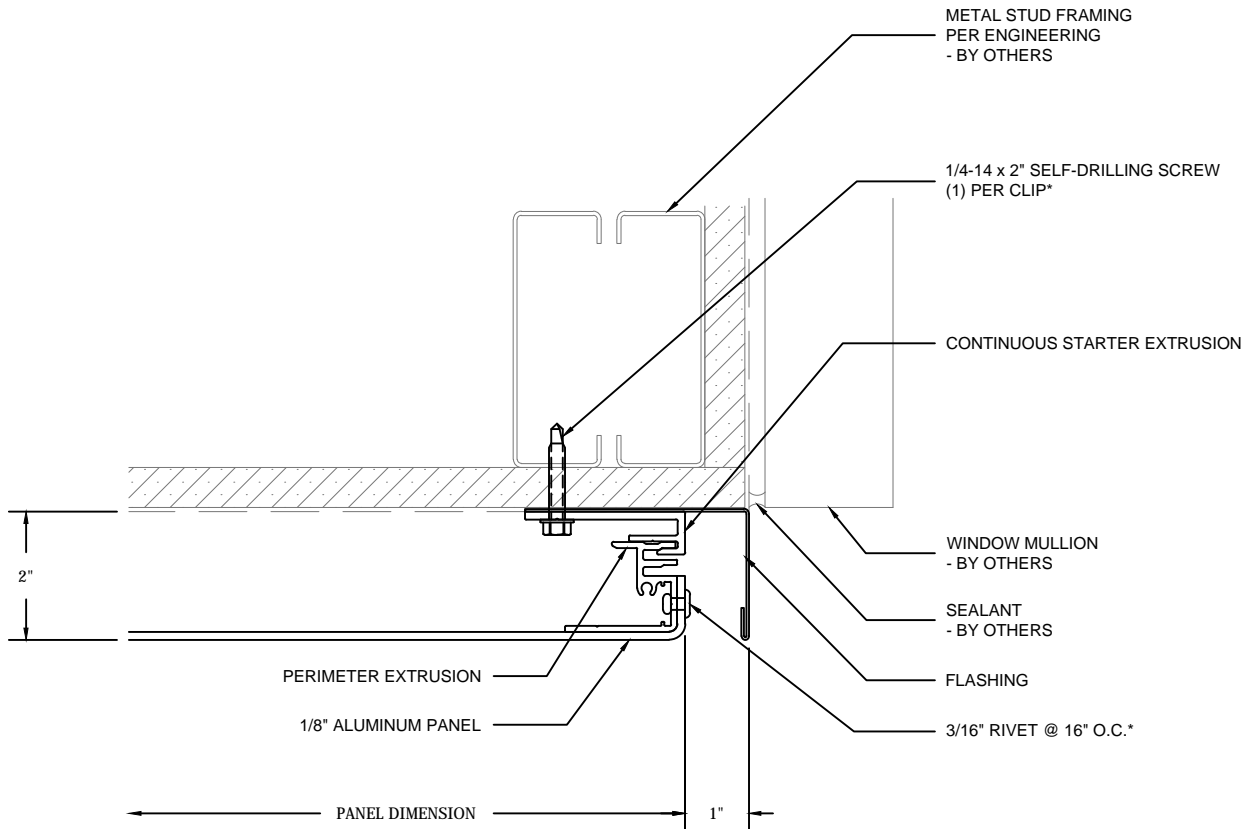
SYSTEM:

ARIA PANELS - B SERIES

DETAIL:

10/A - WINDOW SILL

Confidentiality Notice: These Drawings are the Property of Bunting Architectural Metals. They may not be used, transferred or relied upon without Bunting Architectural Metals expressed written consent. The documents contains confidential, trade secret and privileged information. They are provided to demonstrate the materials provided meet the performance criteria and shall not be construed to convey any other meaning. In the event of default or termination, whether by cause or convenience, these drawings may not be used or transferred to another party. Any unauthorized review, use, disclosure, forwarding, or distribution is prohibited. All parties agree that any violation creates a minimum damage in excess of three million dollars.



\* SIZE AND QUANTITY SUBJECT TO CHANGE PER FINAL ENGINEERING



Bunting Architectural Metals  
 20 River Road  
 Verona, PA 15147  
 Tel. - 412-820-2200  
 Fax - 412-820-4404  
 www.buntingarchitecturalmetals.com

DATE: JULY 16, 2020

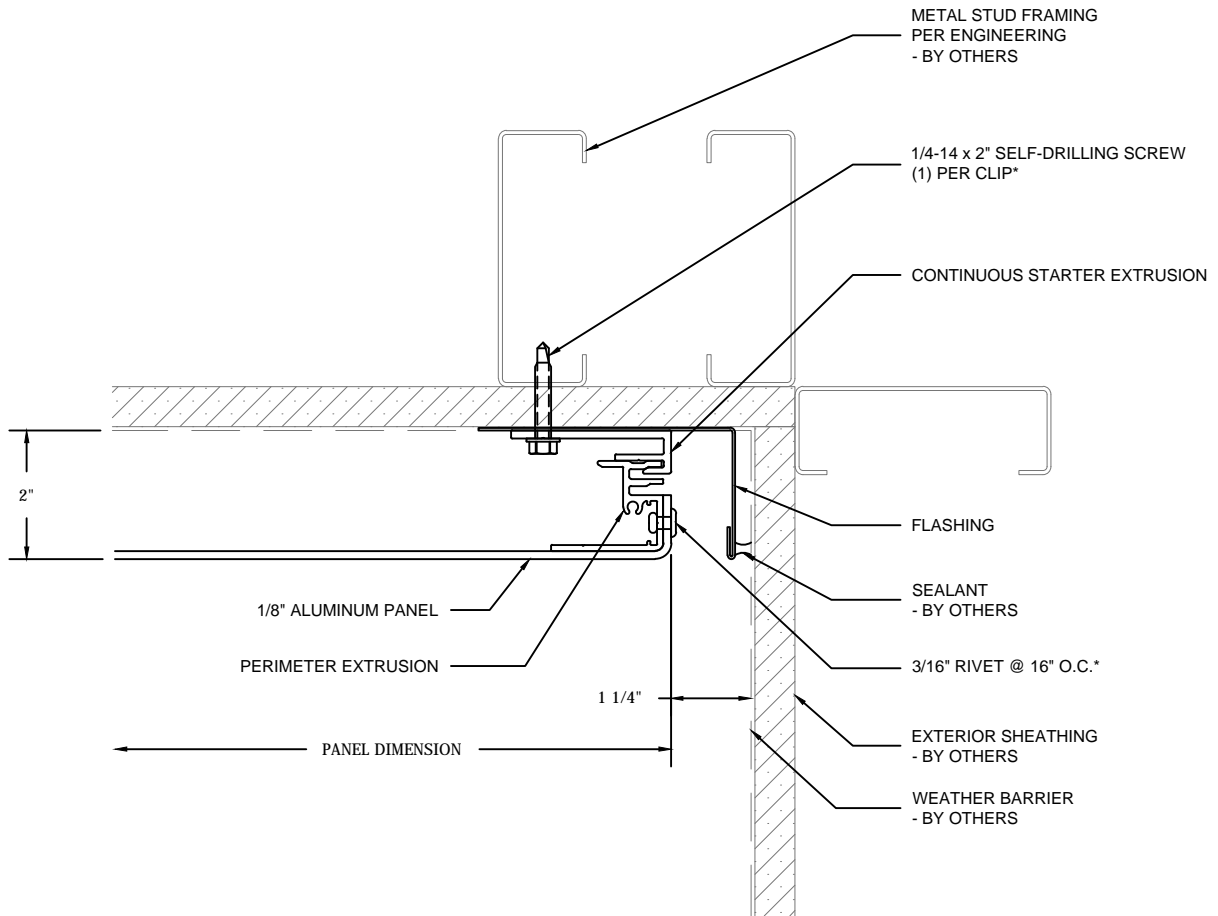
SYSTEM:

ARIA PANELS - B SERIES

DETAIL:

11/A - WINDOW JAMB

Confidentiality Notice: These Drawings are the Property of Bunting Architectural Metals. They may not be used, transferred or relied upon without Bunting Architectural Metals expressed written consent. The documents contains confidential, trade secret and privileged information. They are provided to demonstrate the materials provided meet the performance criteria and shall not be construed to convey any other meaning. In the event of default or termination, whether by cause or convenience, these drawings may not be used or transferred to another party. Any unauthorized review, use, disclosure, forwarding, or distribution is prohibited. All parties agree that any violation creates a minimum damage in excess of three million dollars.



\* SIZE AND QUANTITY SUBJECT TO CHANGE PER FINAL ENGINEERING



Bunting Architectural Metals  
 20 River Road  
 Verona, PA 15147  
 Tel. - 412-820-2200  
 Fax - 412-820-4404  
 www.buntingarchitecturalmetals.com  
 DATE: JULY 16, 2020

SYSTEM:  
**ARIA PANELS - B SERIES**

DETAIL:  
**12/A - TERMINATION**