

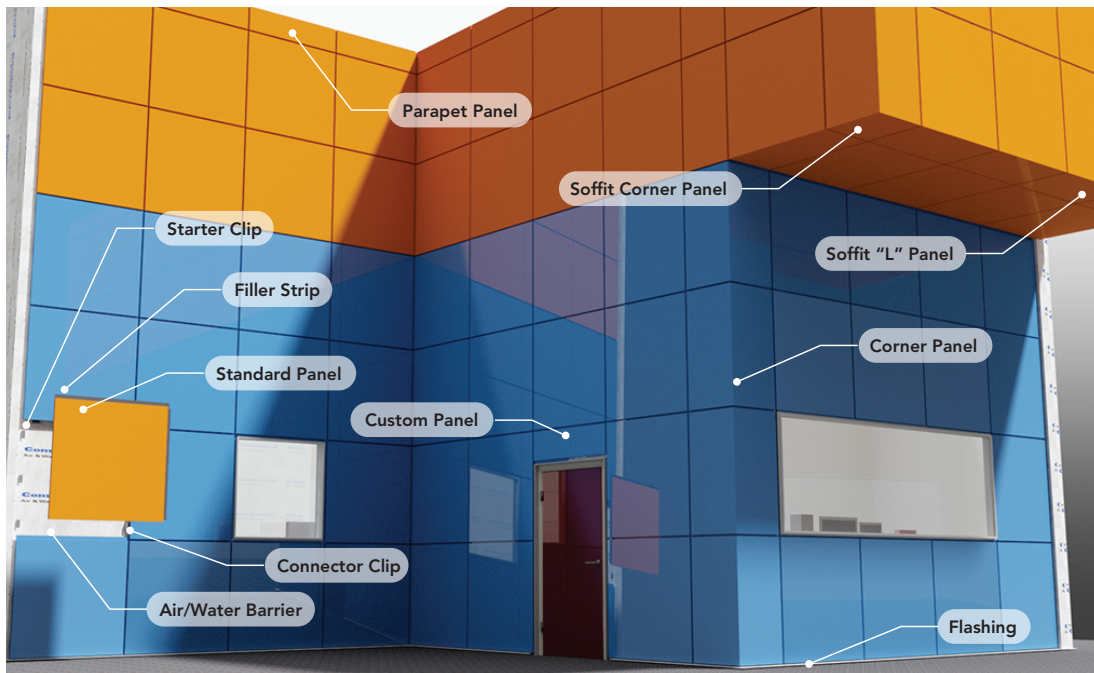


Aria Composite Panel System

Technical Information Pack

- System Assembly
- CAD Sections & Details
- Technical Data





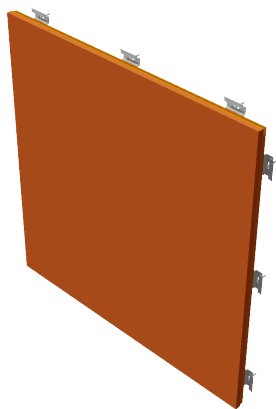
The Aria System consists of a limited number of components, making it easy to configure and install. Horizontal or vertical orientation works in similar ways. Standard panel sizes are listed below. (4' x 4' panel shown in diagram)

A detailed installation guide can be found on our website at buntingarchitecturalmetals.com.

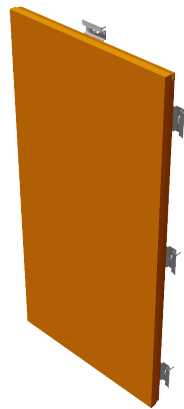
Standard Panel Sizes

Flat Panel	Corner Panel
2' x 4'	1' x 1' x 4'
2' x 8'	1' x 1' x 8'
2' x 10'	1' x 1' x 10'
4' x 4'	2' x 2' x 4'
4' x 8'	2' x 2' x 8'
4' x 10'	2' x 2' x 10'

Aria System Components



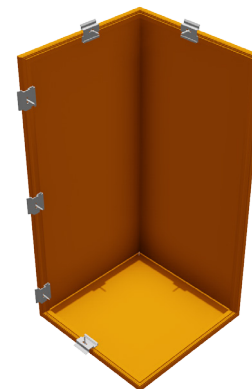
Standard 4' x 4' Panel



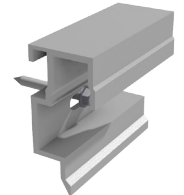
Standard 2' x 4' Panel



Corner Panel



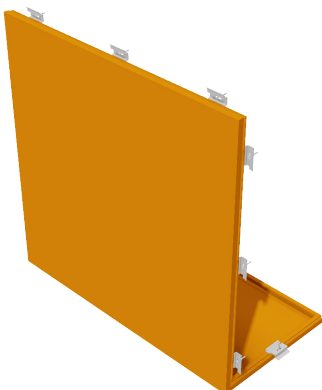
Corner Soffit Panel



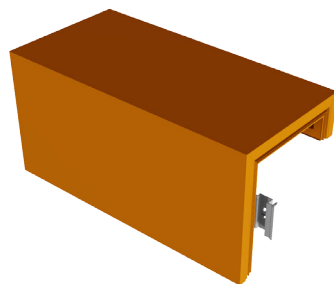
Connector Clip



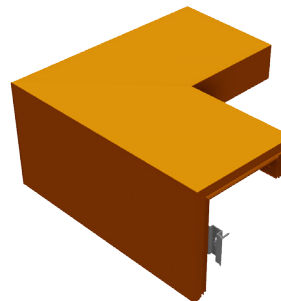
Starter Clip



Soffit 4' x 4' x 2' Panel



Parapet Panel



Parapet Outside Corner Panel

Series A

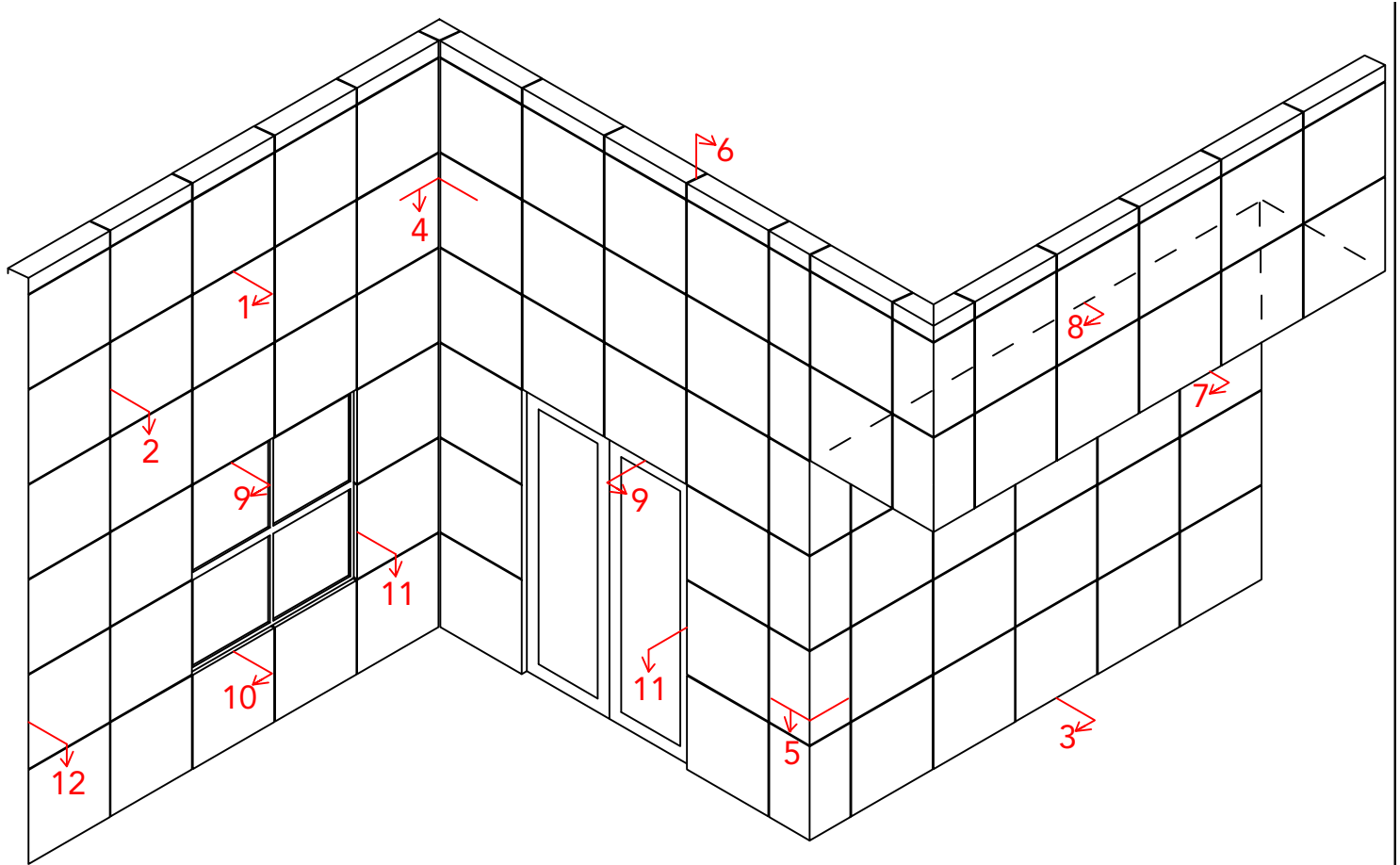
Composite Material

Series B

Coated Aluminum

Series C

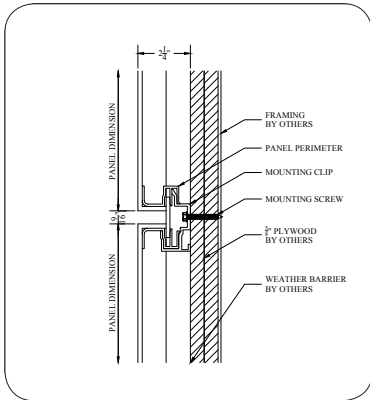
Designer Finish



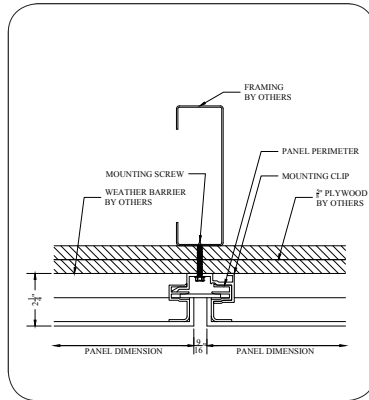
DETAILS

- 1. HORIZONTAL JOINT
- 2. VERTICAL JOINT
- 3. SILL
- 4. 90° INSIDE CORNER
- 5. 90° OUTSIDE CORNER
- 6. PARAPET
- 7. FASCIA TO SOFFIT
- 8. SOFFIT TO FASCIA
- 9. HEADER
- 10. WINDOW SILL
- 11. JAMB
- 12. END

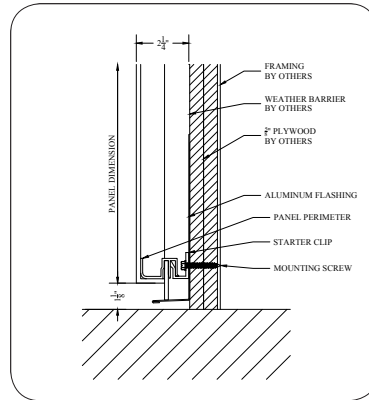
Series A Composite Material



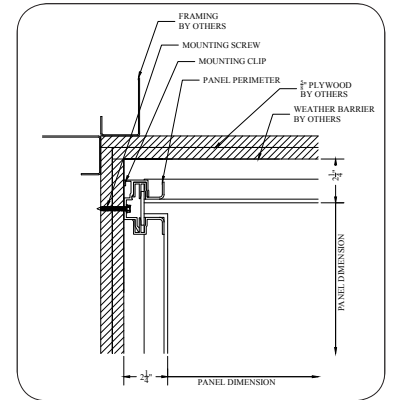
A1. Horizontal Joint



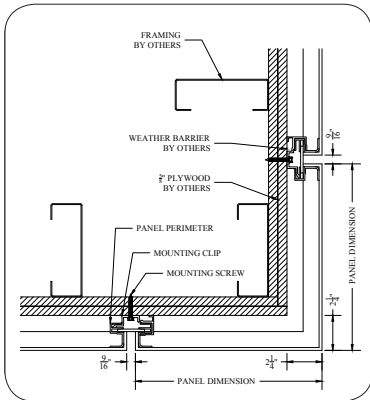
A2. Vertical Joint



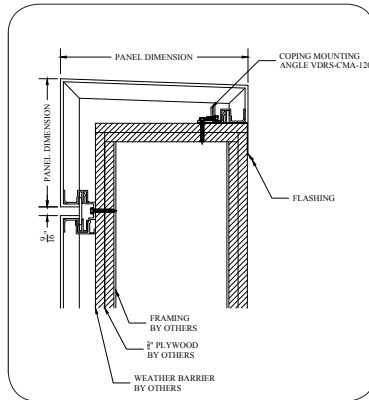
A3. Sill



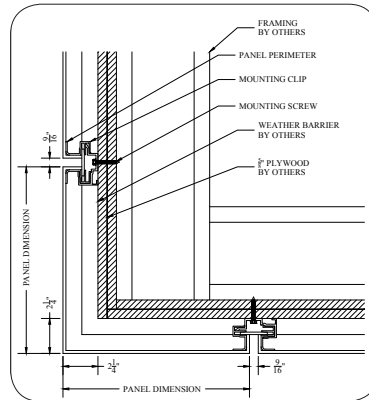
A4. 90° Inside Corner



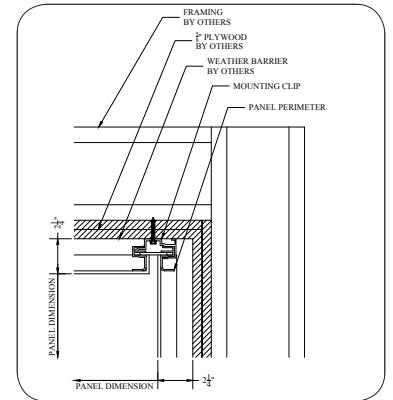
A5. 90° Outside Corner



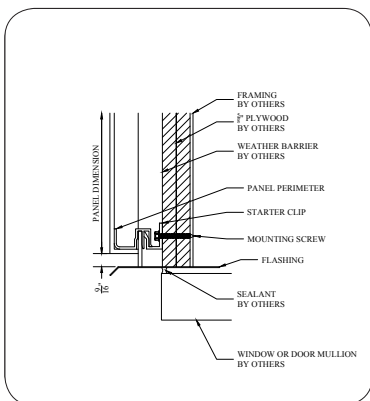
A6. Parapet



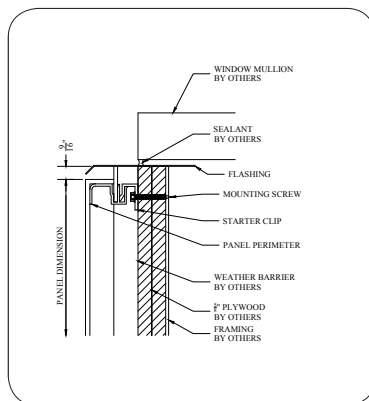
A7. Fascia to Soffit



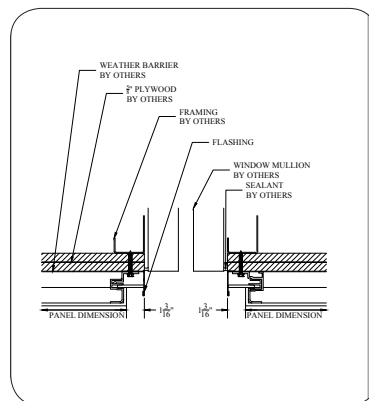
A8. Soffit to Fascia



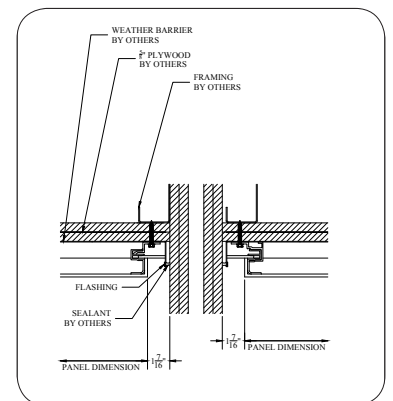
A9. Header



A10. Window Sill



A11. Window Jamb



A12. Door Jamb

Standard Panel Sizes

Flat Panel	Corner Panel
2' x 4'	1' x 1' x 4'
2' x 8'	1' x 1' x 8'
2' x 10'	1' x 1' x 10'
4' x 4'	2' x 2' x 4'
4' x 8'	2' x 2' x 8'
4' x 10'	2' x 2' x 10'

Series C Only: Maximum available panel size depends on selected finish option. Panels are available in sizes from 1'-6" x 7'-6" to 3'-6" x 9'-6".

Panel Properties - Series A Composite

Property	Standard (in)	Metric (mm)
Panel Weight	1.13 lb/sq.ft ²	5.5 kg/m ²
Nominal Thickness	1/8"	4mm
Thickness Tolerance	±1/32"	± 0.79mm
Length & Width Tolerance	+0, -1/8"	+0, -3.18mm
Squareness	1/64" per line foot	
Flatness	Visually flat	
Finish	Prefinished	
Warranty	Panel Construction	5 years

Recycled Content

Series A	
Post-Consumer	8 %
Total	35 %
Series B	
Post-Consumer	60 %
Total	80 %
Series C	
Post-Consumer	60 %
Total	80 %

Panel Properties - Series B Coated Aluminum

Property	Standard (in)	Metric (mm)
Panel Weight	1.8 lbs/ft ²	9 kg/m ²
Nominal Thickness	1/8"	4mm
Thickness Tolerance	±1/32"	± 0.79mm
Length & Width Tolerance	+0, -1/8"	+0, -3.18mm
Squareness	1/64" per line foot	
Flatness	Visually flat	
Finish	Type	Coating
70% Kynar® AAMA 2605	2-coat PVDF	0.20 mil primer+ 0.80 mil color
50% Kynar® AAMA 2604	2-coat PVDF	0.20 mil primer+ 0.80 mil color
Warranty	Panel Construction	5 years
70% Kynar® AAMA 2605		10 years
50% Kynar® AAMA 2604		5 years



Panel Properties - Series C Designer Finish

Property	Standard (in)	Metric (mm)
Panel Weight	1.8 lbs/ft ²	9 kg/m ²
Nominal Thickness	1/8"	4mm
Thickness Tolerance	±1/32"	± 0.79mm
Length & Width Tolerance	+0, -1/8"	+0, -3.18mm
Squareness	1/64" per line foot	
Flatness	Visually flat	
Finish	Type	
Chemetal	100 thru 900 Series	
Warranty	Panel Construction	5 years
70% Kynar® AAMA 2605		10 years
50% Kynar® AAMA 2604		5 years

Contact Us



sales@buntingarchitecturalmetals.com
20 River Road, Verona, PA 15147