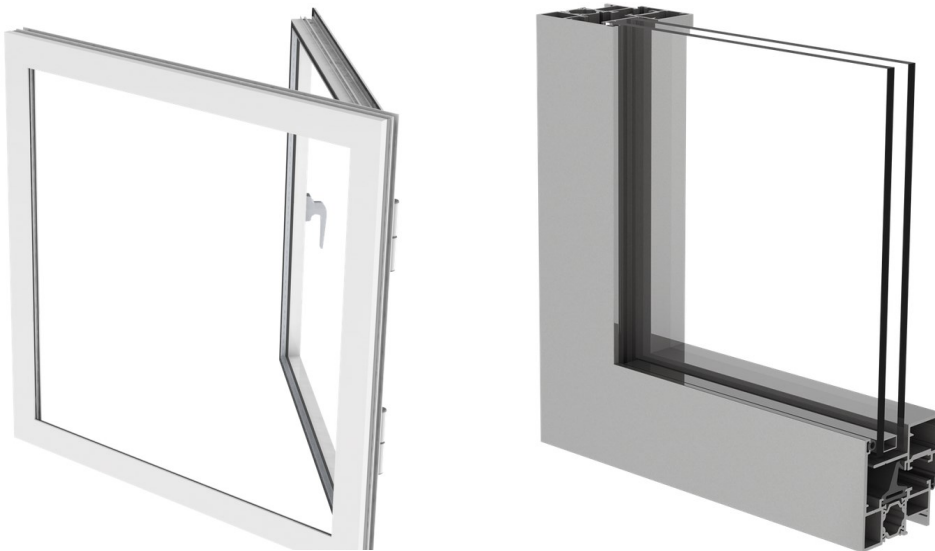




BAM-251 Operable Window System

The BAM-251 is a thermally broken project in window for insulated glass. This product is available in casement, hopper, tilt and turn, and fixed configurations. The use of Insulbar® technology allows dual finish combinations. Vent is structurally glazed reducing sightline and improving aesthetics



System Description:

- Designed for 1" Insulated glass
 - Frame Depth: 2 ½"
 - Sight Line: 2 ¾"
 - Design Load: ±70 psf
 - Water Infiltration: 15 psf
 - AAMA class: AW-70
 - U-value: 0.37 Fixed
0.47 Operable
- CRF AAMA: 63 Fixed
57 Operable

Features:

- Multi-point lock
- Heavy duty stainless steel four bar hinge or butt hinges
- Head receptor, sub sill and strap anchors available
- Fully weatherstripped
- Anodized, painted or wood grain finishes

Website: www.BuntingArchitecturalMetals.com

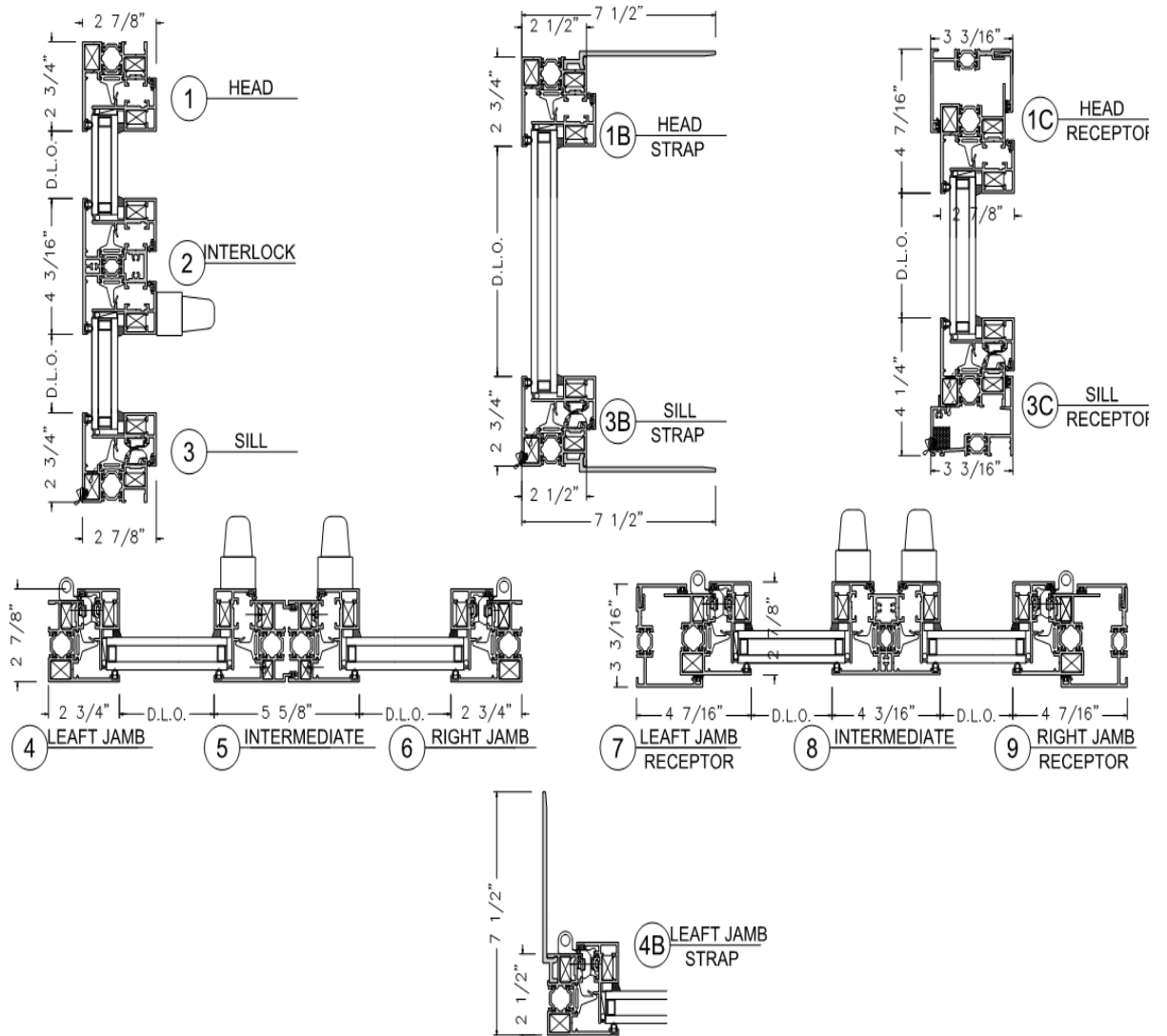
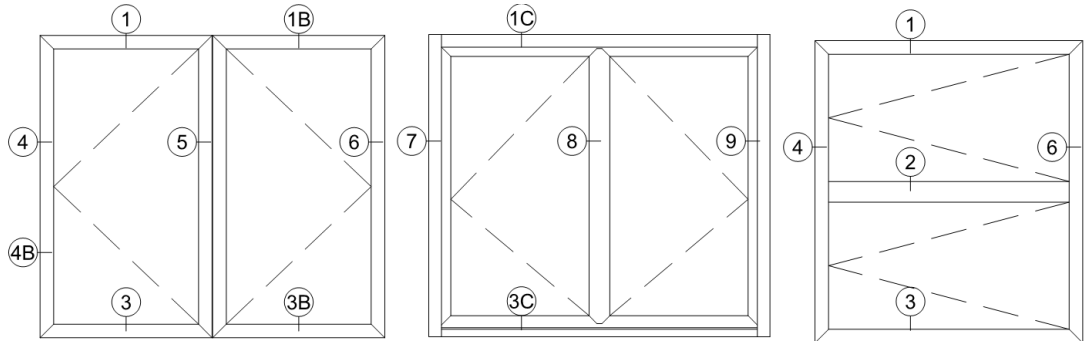
Phone: 412-820-2200



B BUNTING

ARCHITECTURAL METALS

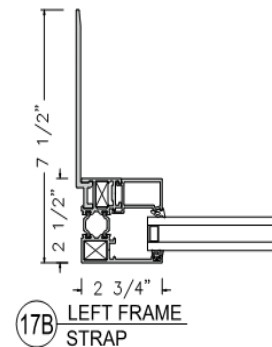
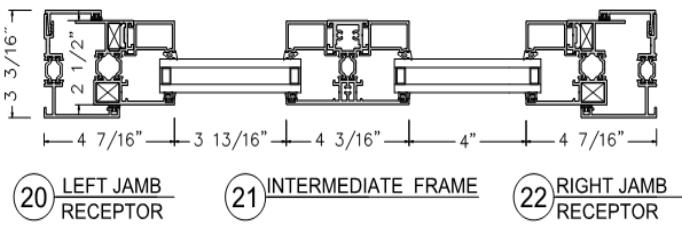
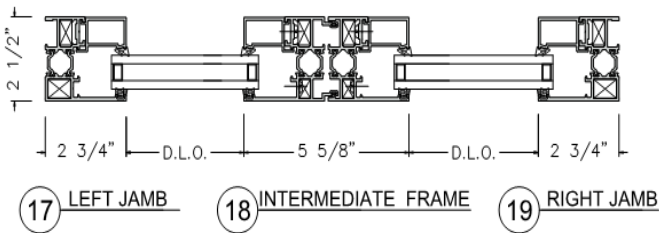
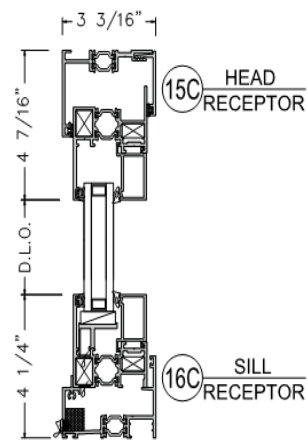
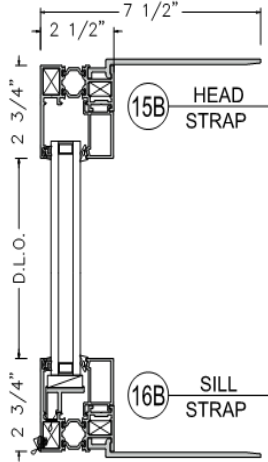
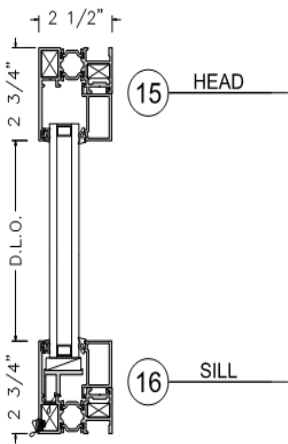
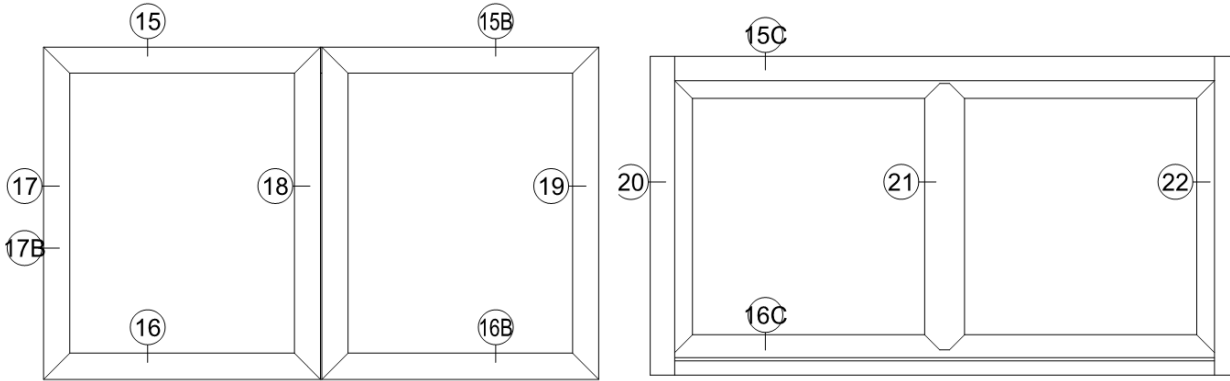
Casement



B BUNTING

ARCHITECTURAL METALS

Fixed



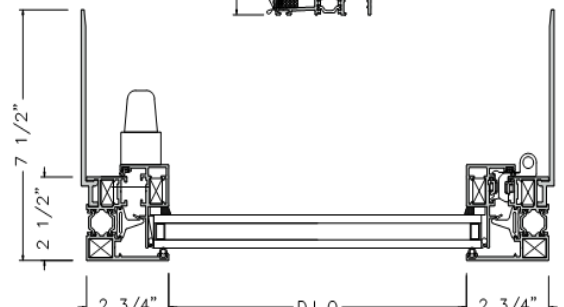
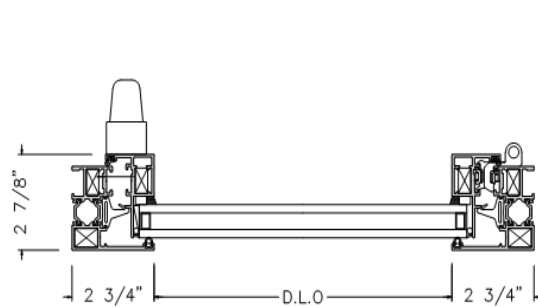
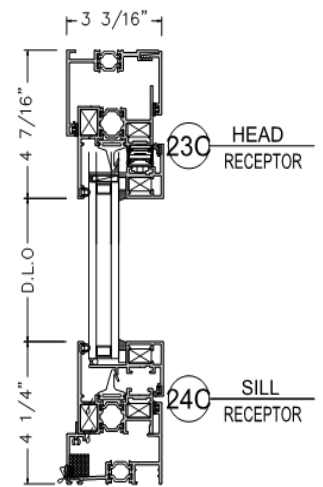
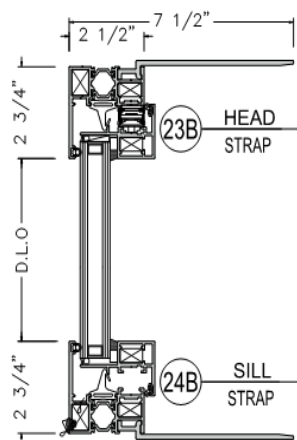
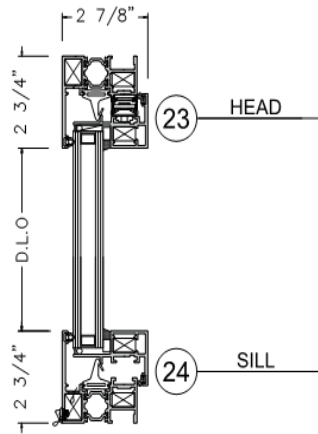
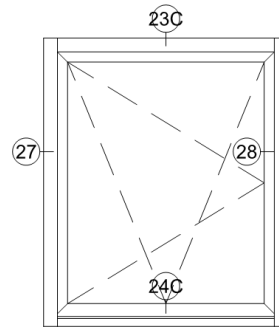
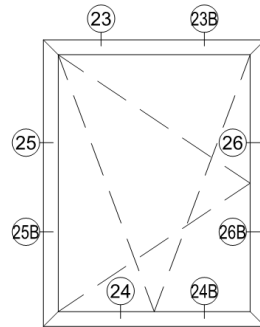
BAM-251 Operable Window System



B BUNTING

ARCHITECTURAL METALS

Tilt and Turn



25 LEFT JAMB
TILT AND TURN

26 RIGHT JAMB
TILT AND TURN

25B LEFT JAMB
STRAP

26B RIGHT FRAME
STRAP

