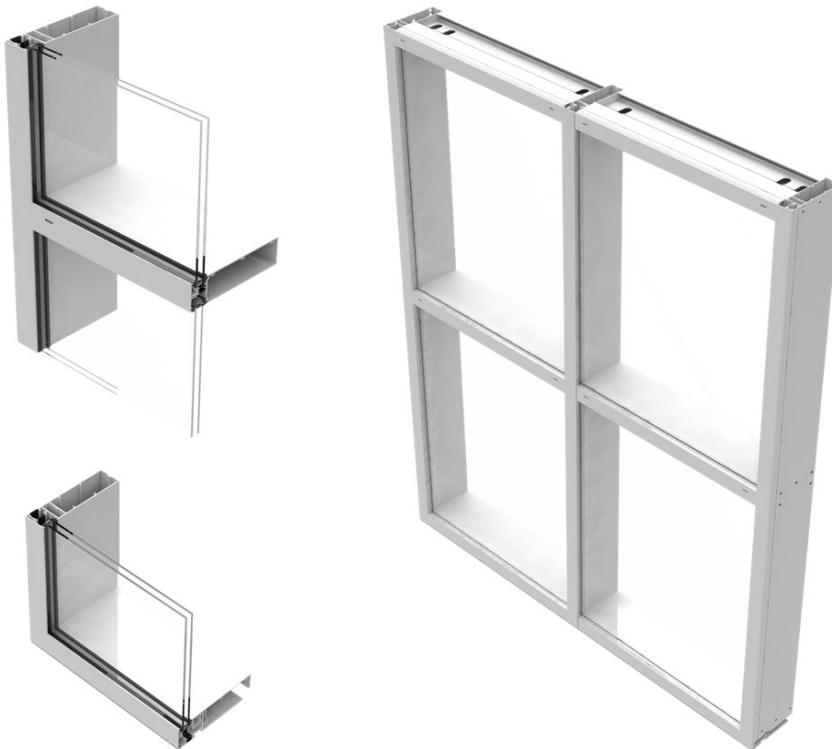




BAM-1025T Window Wall System

The BAM-1025T is a 10" unitized, thermally broken window wall that can accommodate multiple conditions and saves installation time at the job site. Designed with Insulbar® polyamide struts for a superior performance and dual finish capability.



System Description:

- Frame depth: 10"
- Sight Line: 2 ½"
- Designed for 1" insulated glass
- Design Load: ±75 psf
- Water infiltration: 15 psf
- Maximum size: 60" x 120"
- U-Value: 0.35 (with ¼" SB60 - ½" Argon - ¼" Clear)

Features:

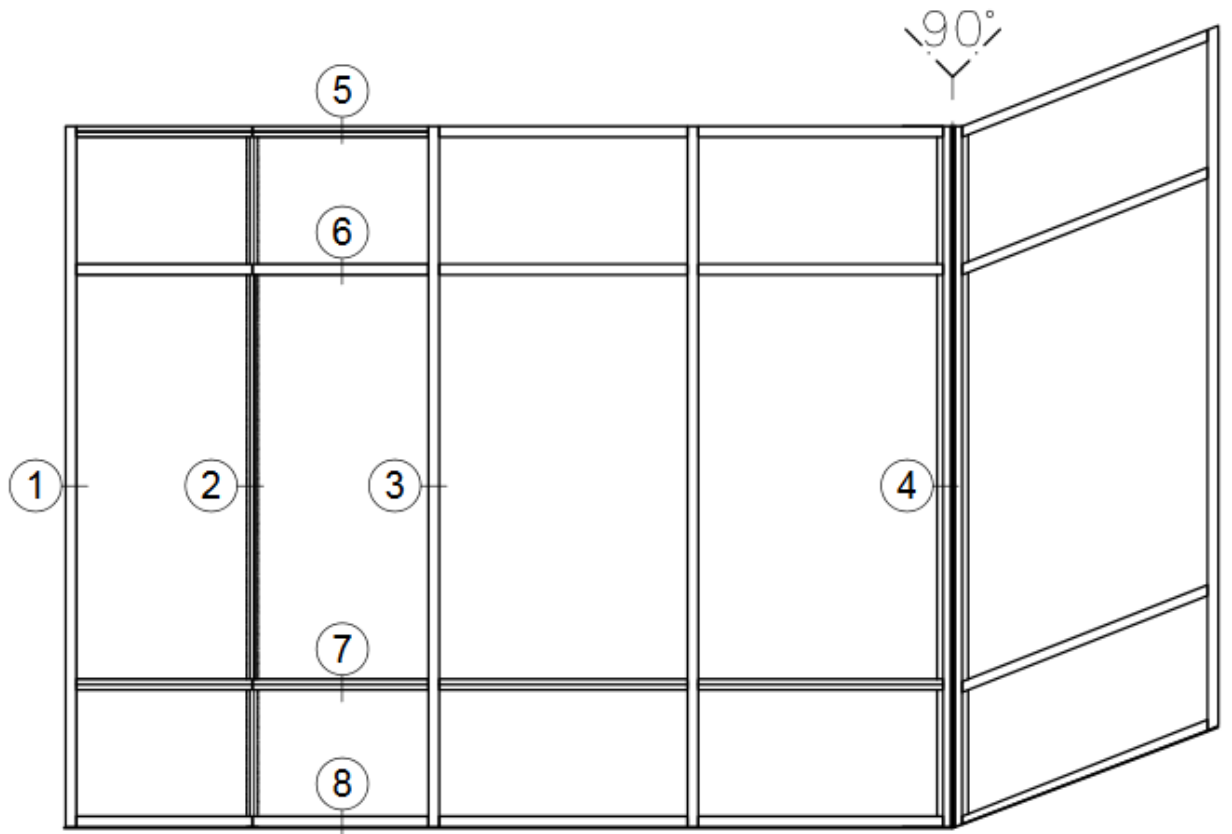
- Pre-assembled and pre-glazed
- Inside or outside re-glaze
- SSG mullion option
- Continuous subsill
- Head receptor and integrated slab cover available
- Integrated vents
- Anodized, painted or wood grain finishes available

Website: www.BuntingArchitecturalMetals.com

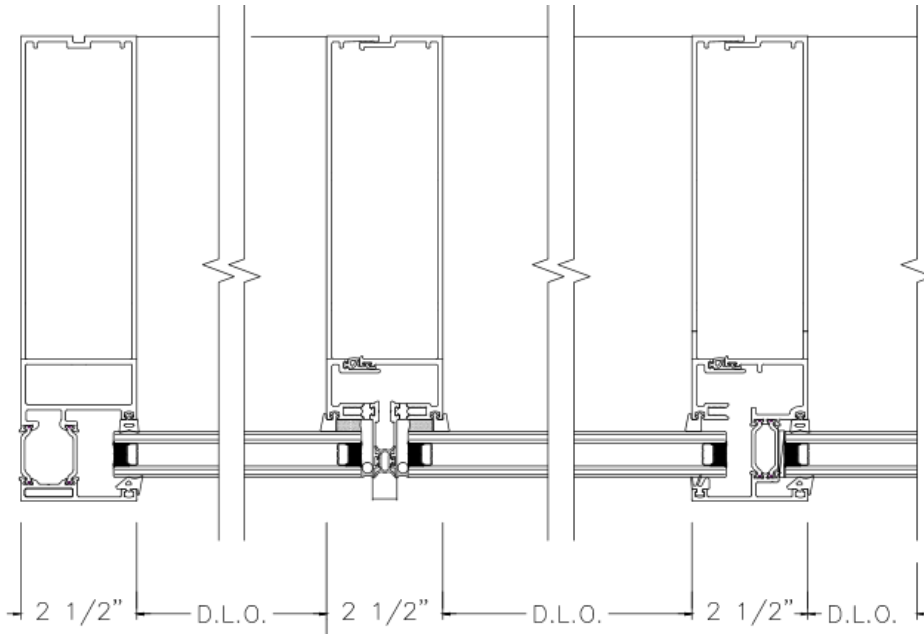
Phone: 412-820-2200



Elevation



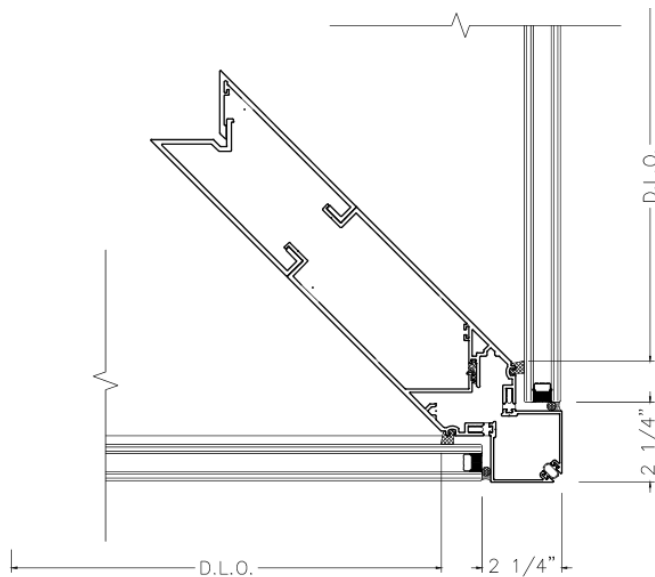
Horizontal Sections



① JAMB

② MULLION

③ MULLION



④ CORNER 90

Vertical Sections

