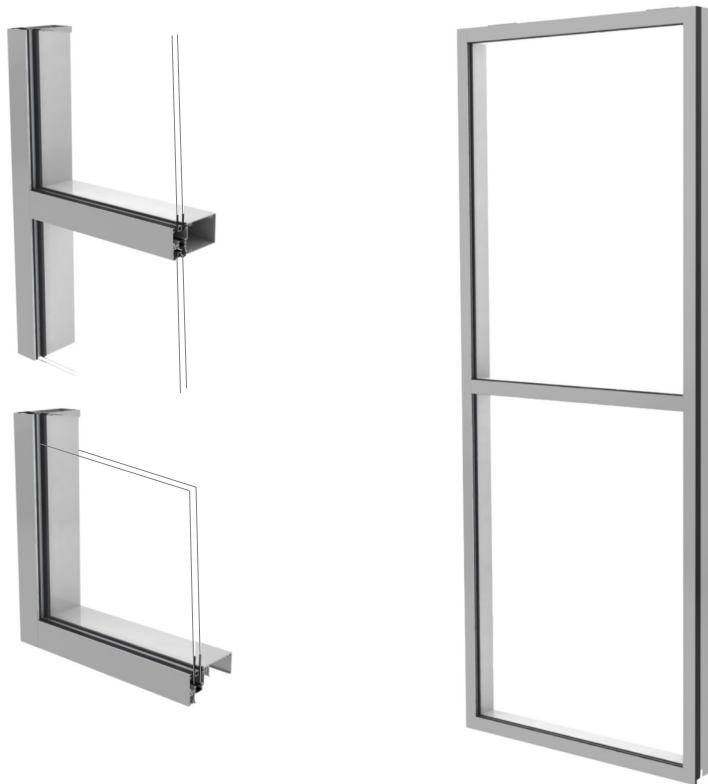




BAM-425 Window Wall System

The BAM-425 is a 4" unitized, thermally broken window wall, ideal for low to medium rise applications. Designed with Insulbar® polyamide struts for a superior performance and dual finish capability.



System Description:

- Frame depth: 4 ½"
- Sight Line: 2 ½"
- Designed for 1" insulated glass
- Design Load: ±50 psf
- Water infiltration: 15 psf
- Maximum size: 57 ½" x 57 ½"
- U-Value: 0.37 (with ¼" SB60 - ½" Argon - ¼" Clear)

Features:

- Pre-assembled and pre-glazed
- Inside or outside re-glaze
- SSG mullion and intermediate horizontal option
- Continuous subsill
- Head receptor and integrated slab cover available
- Integrated vents
- Anodized, painted or wood grain finishes available

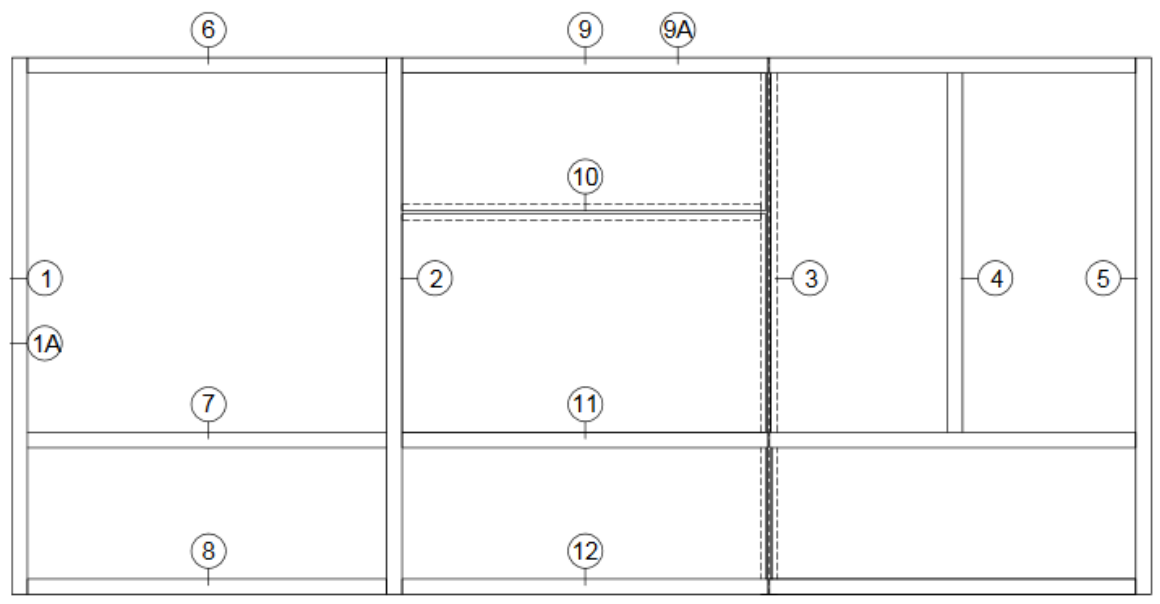
Website: www.BuntingArchitecturalMetals.com

Phone: 412-820-2200

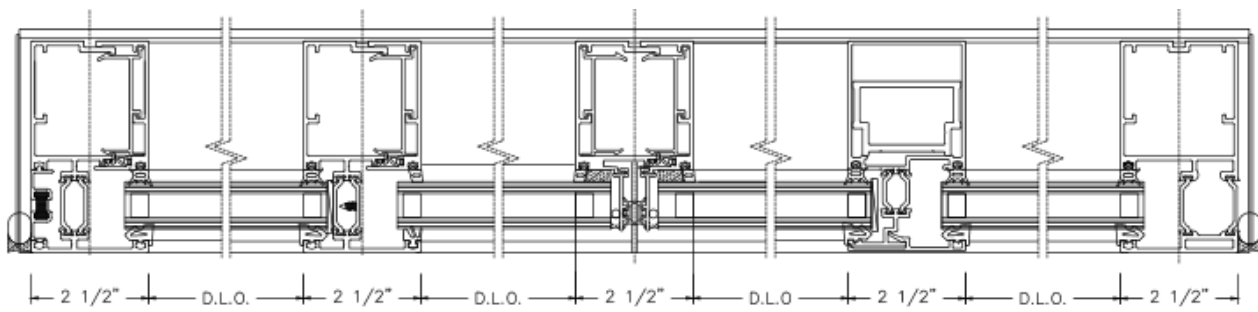




Elevation



Horizontal Sections



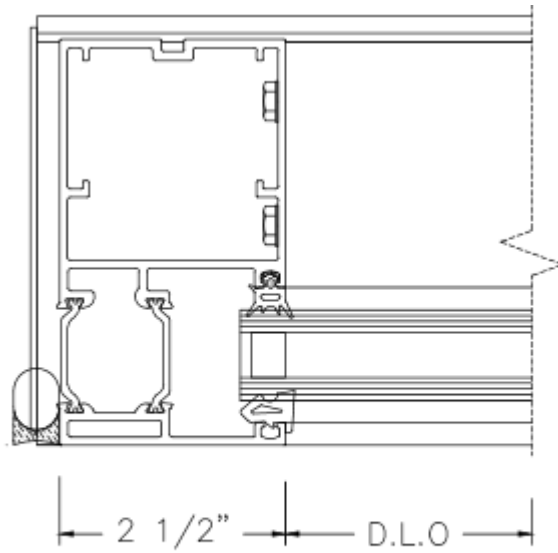
① JAMB
OUTSIDE RE-GLAZE

② MULLION
OUTSIDE RE-GLAZE

③ MULLION

④ MULLION

⑤ MULLION



①A JAMB
INSIDE RE-GLAZE

Vertical Sections

