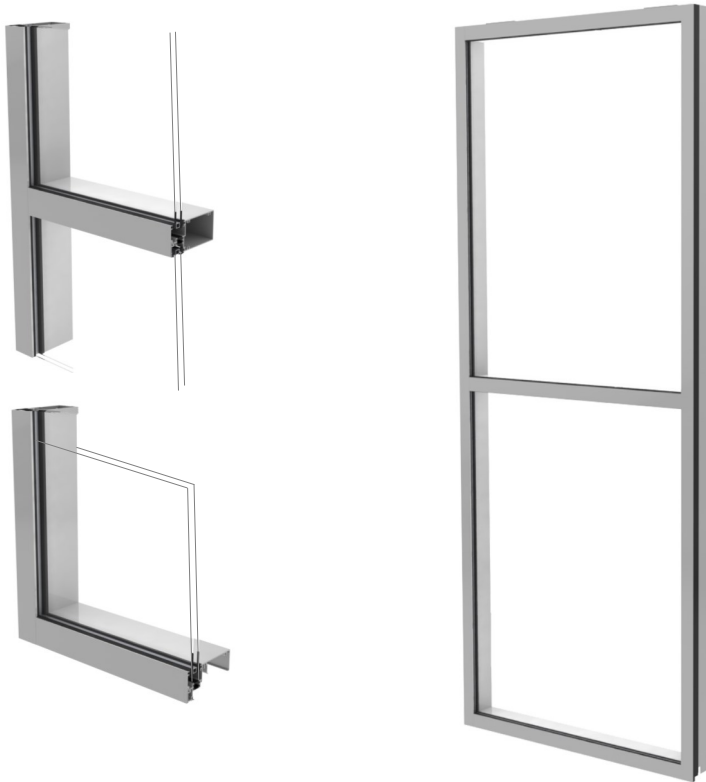




BAM-525 Window Wall System

The BAM-525, with its 5" deep mullions, completes the 2 ½" sightline thermally broken window wall family, which covers a wide range of structural requirements, and maintains the excellent performance of the Insulbar® system and its dual finish capability.



System Description:

- Frame depth: 5"
- Sight Line: 2 ½"
- Designed for 1" insulated glass
- Design Load: ±65 psf
- Water infiltration: 15 psf
- Maximum size: 60" x 120"
- U-Value: 0.35 (with ¼" SB60 - ½" Argon - ¼" Clear)

Features:

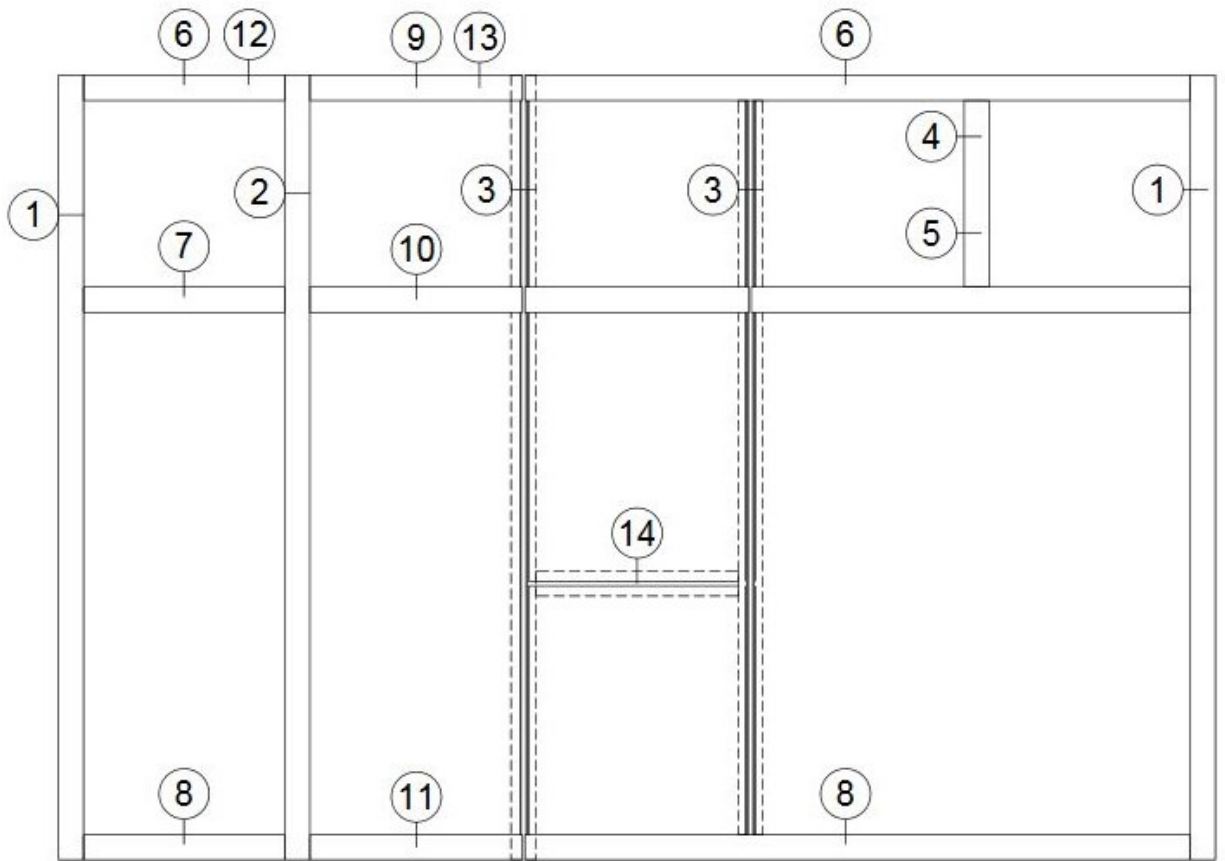
- Pre-assembled and pre-glazed
- Inside or outside re-glaze
- SSG mullion and intermediate horizontal option
- Continuous subsill
- Head receptor and integrated slab cover available
- Integrated vents
- Anodized, painted or wood grain finishes available

Website: www.BuntingArchitecturalMetals.com

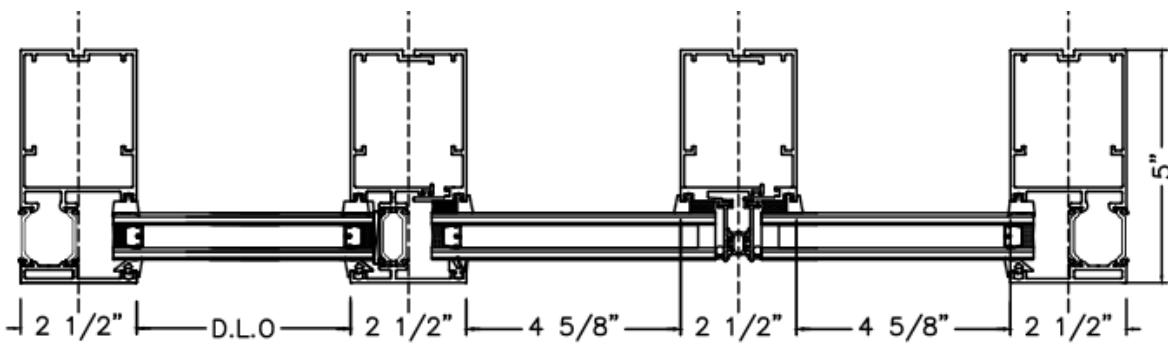
Phone: 412-820-2200



Elevation



Horizontal Sections

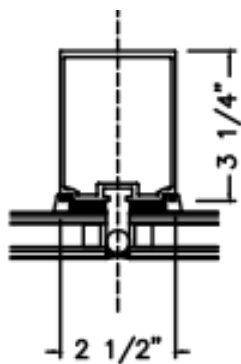


① JAMB

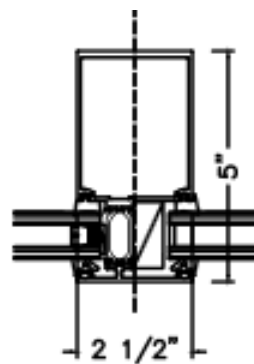
② MULLION

③ MULLION
SSG

① JAMB



④ MULLION
SSG



⑤ MULLION

Vertical Sections

