



BAM-625 Window Wall System

The BAM-625 is a 6" unitized, thermally broken window wall, designed to meet the performance and aesthetic requirements for a wide range of applications. The Insulbar® polyamide struts, besides its excellent thermal performance, allows dual finish design flexibility.



System Description:

- Frame depth: 6"
- Sight Line: 2 ½"
- Designed for 1" insulated glass
- Design Load: ±65 psf
- Water infiltration: 15 psf
- Maximum size: 60" x 120"
- U-Value: 0.35 (with ¼" SB60 - ½" Argon - ¼" Clear)

Features:

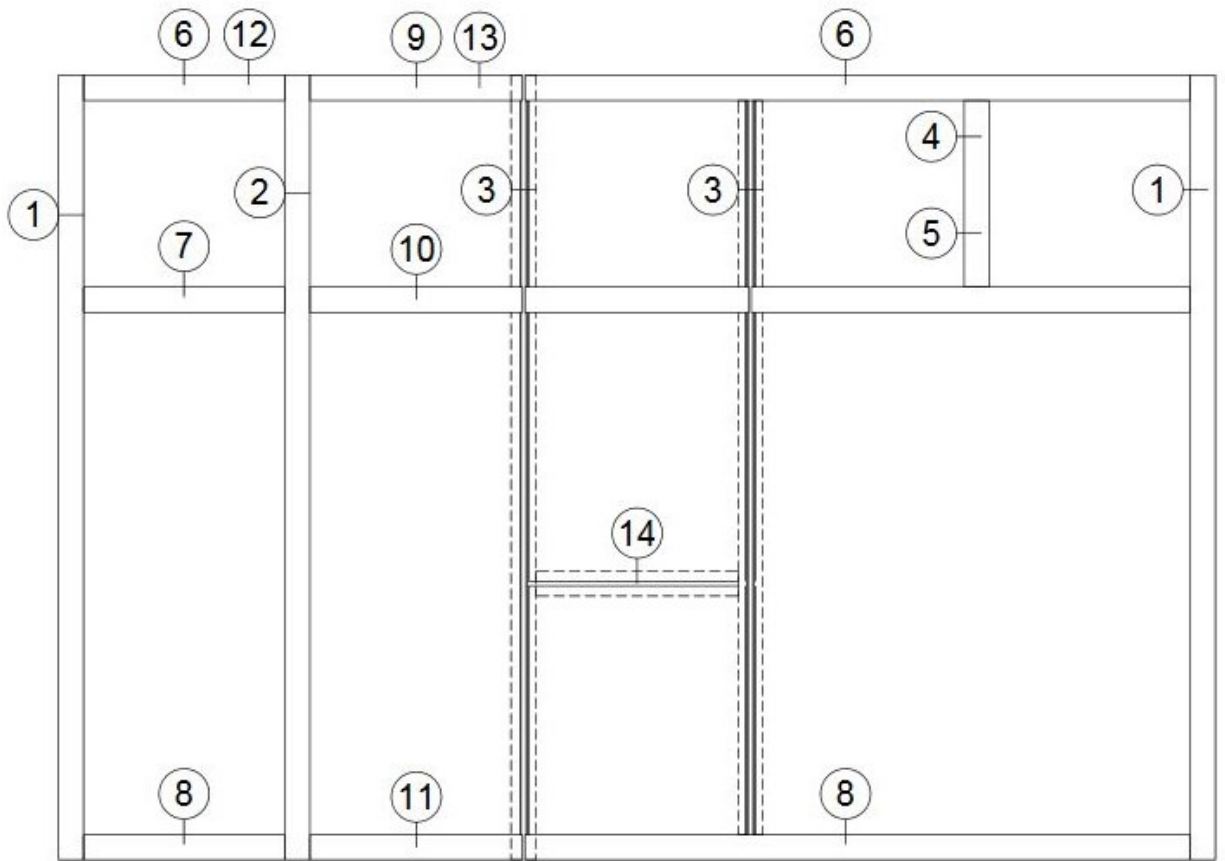
- Pre-assembled and pre-glazed
- Inside or outside re-glaze
- SSG mullion and intermediate horizontal option
- Continuous subsill
- Head receptor and integrated slab cover available
- Integrated vents
- Anodized, painted or wood grain finishes available

Website: www.BuntingArchitecturalMetals.com

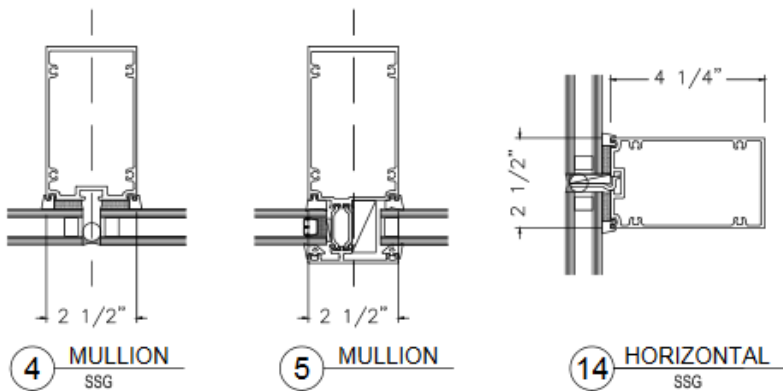
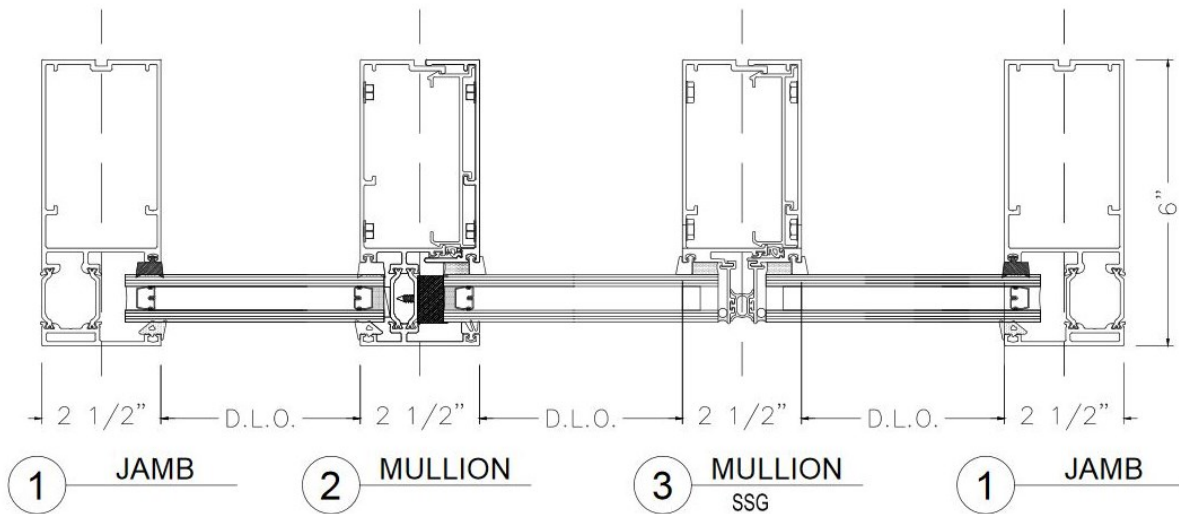
Phone: 412-820-2200



Elevation



Horizontal Sections



Vertical Sections

