

Project Manager:

Drawn By:
 EW
 Date:
 06.09.11
 Checked By:
 Check Date:

Distribution: Date
 FIRST SUBMITTAL XX.XX.XX

Revisions:

#	Date:	Description:
*	*	*

Arch/Eng:

Customer:

Job Name:

Drawing Title:

VIRAGE DETAILS

Job Location:

Finish:

QUARTZ

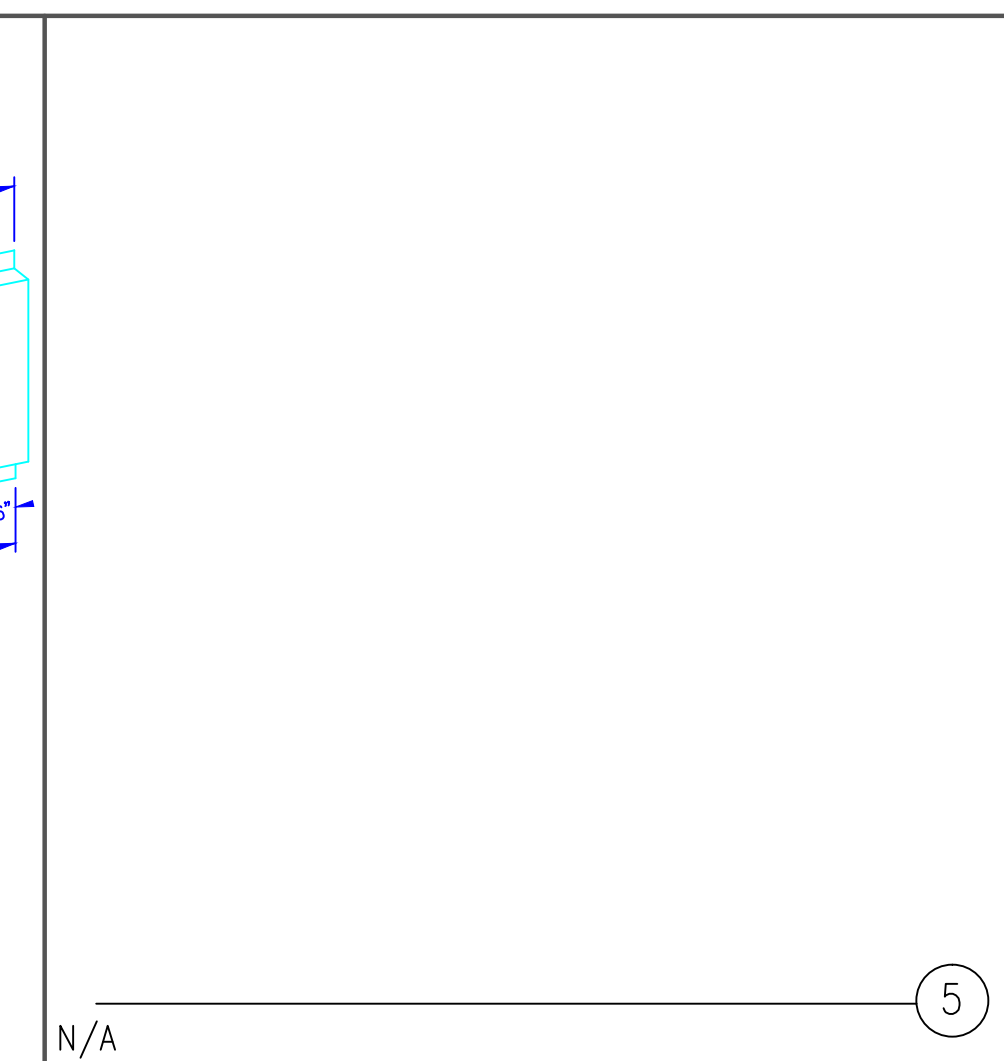
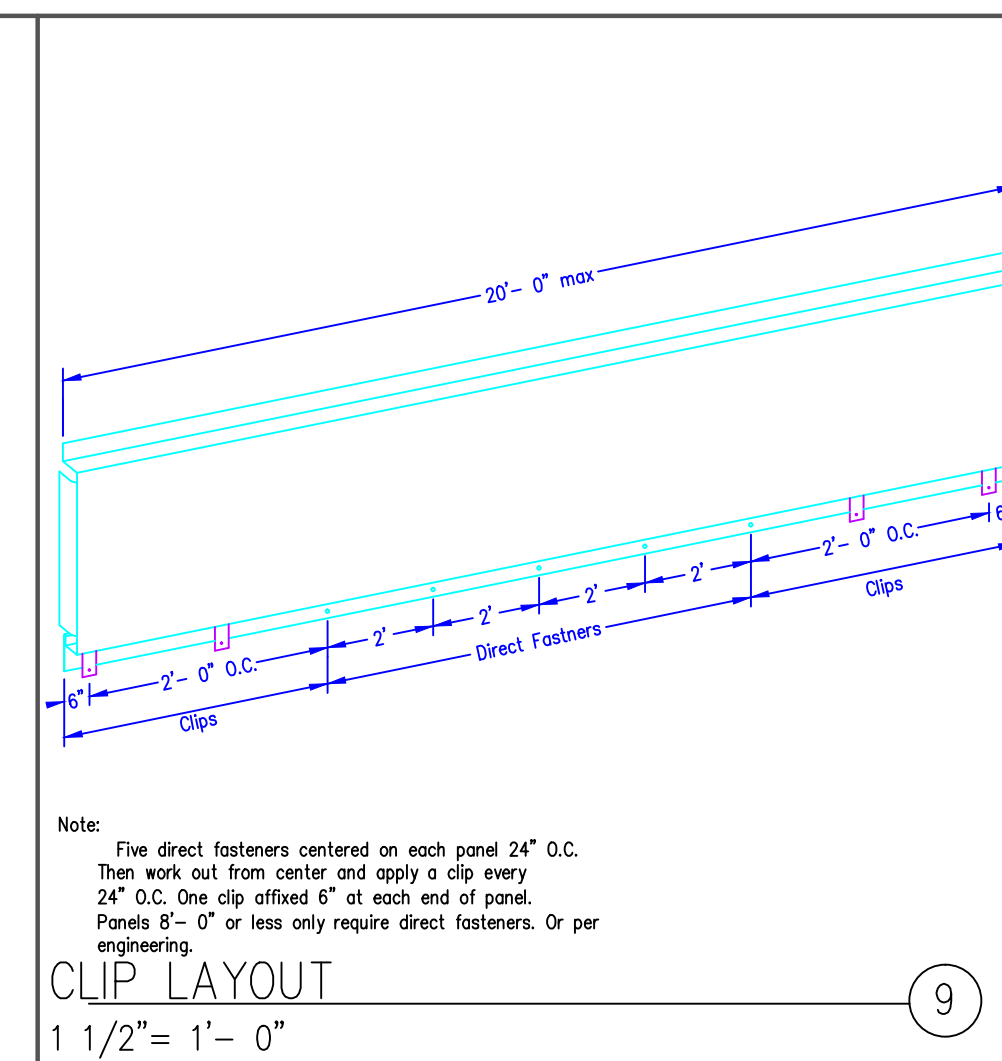
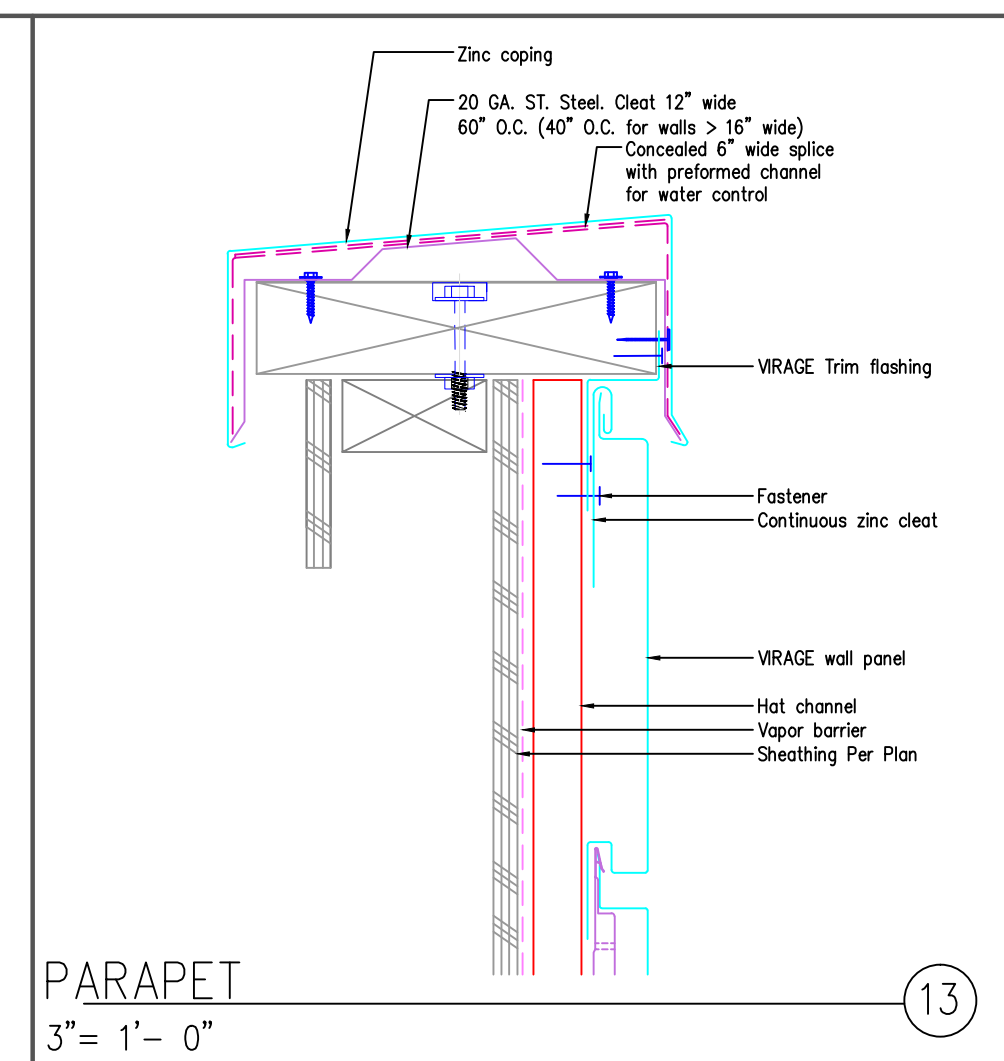
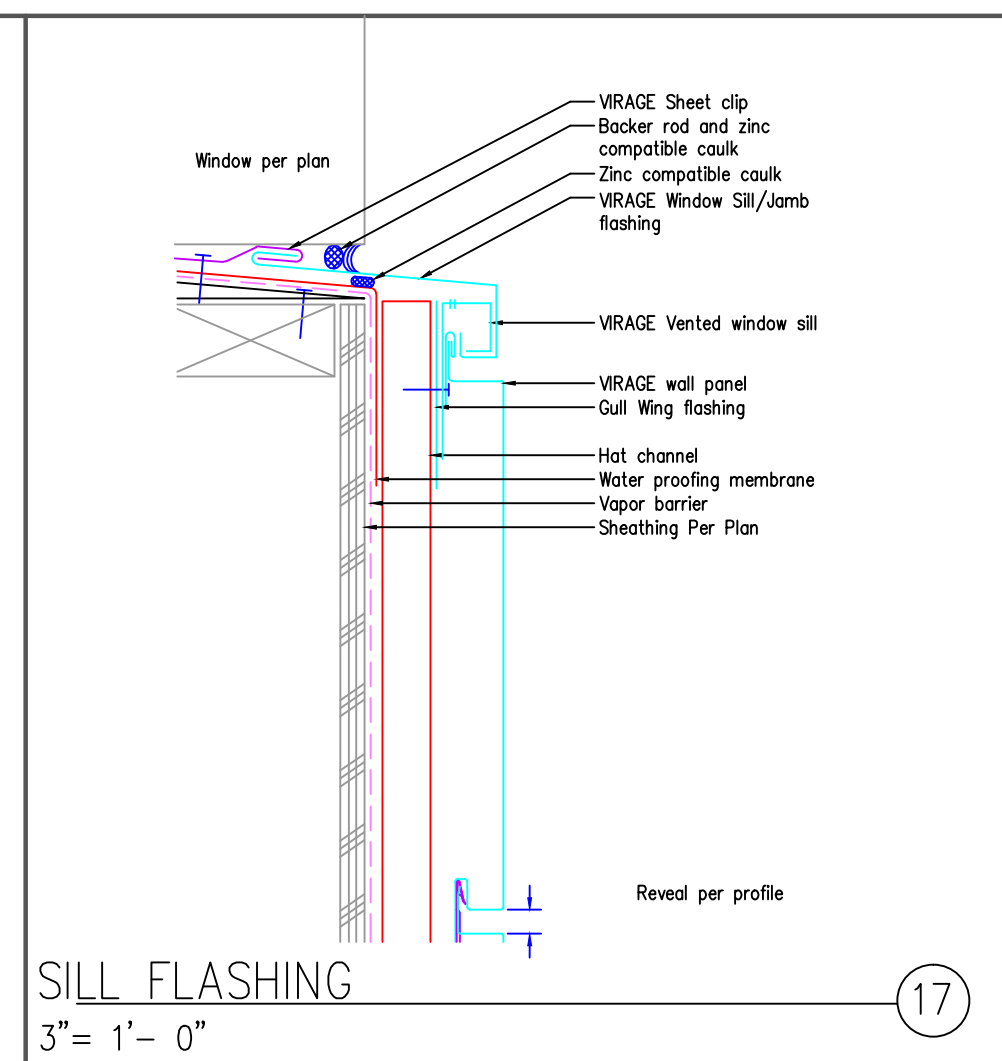
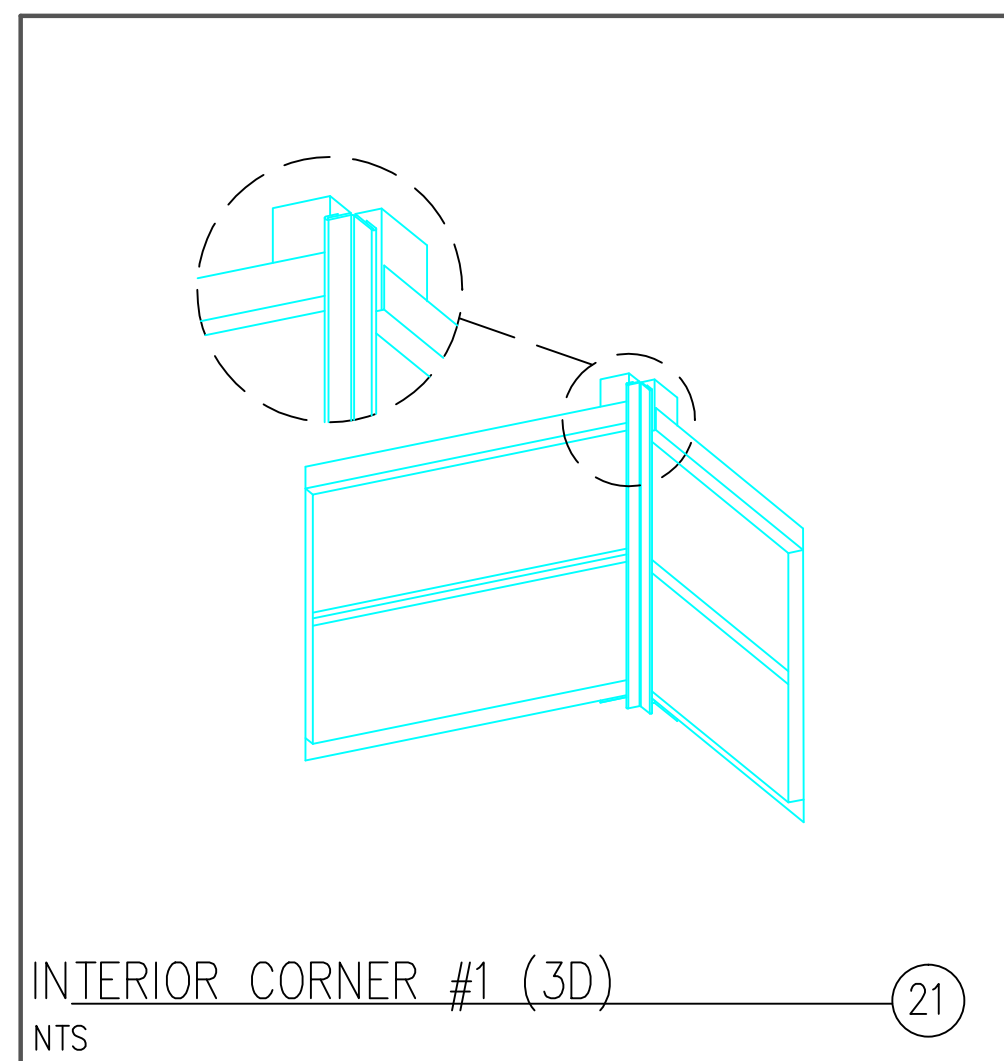
This drawing was prepared in accordance with information submitted. Changes to drawings may incur charges as stated in the price list.

Signed approval of submitted drawing is required prior to manufacture. Approval of drawing acknowledges that it is correct and supersedes all previous sets of drawings and/or specifications related to this order. Any changes, corrections or remakes of products manufactured in accordance to approved drawings will be at purchaser's expense.

Confidential and proprietary information of Bunting Graphics, Inc. may not be used or reproduced without Bunting's prior written consent. No part of this drawing, design, arrangement or idea thereon shall be duplicated or used for any purpose without express written permission of Bunting Graphics.

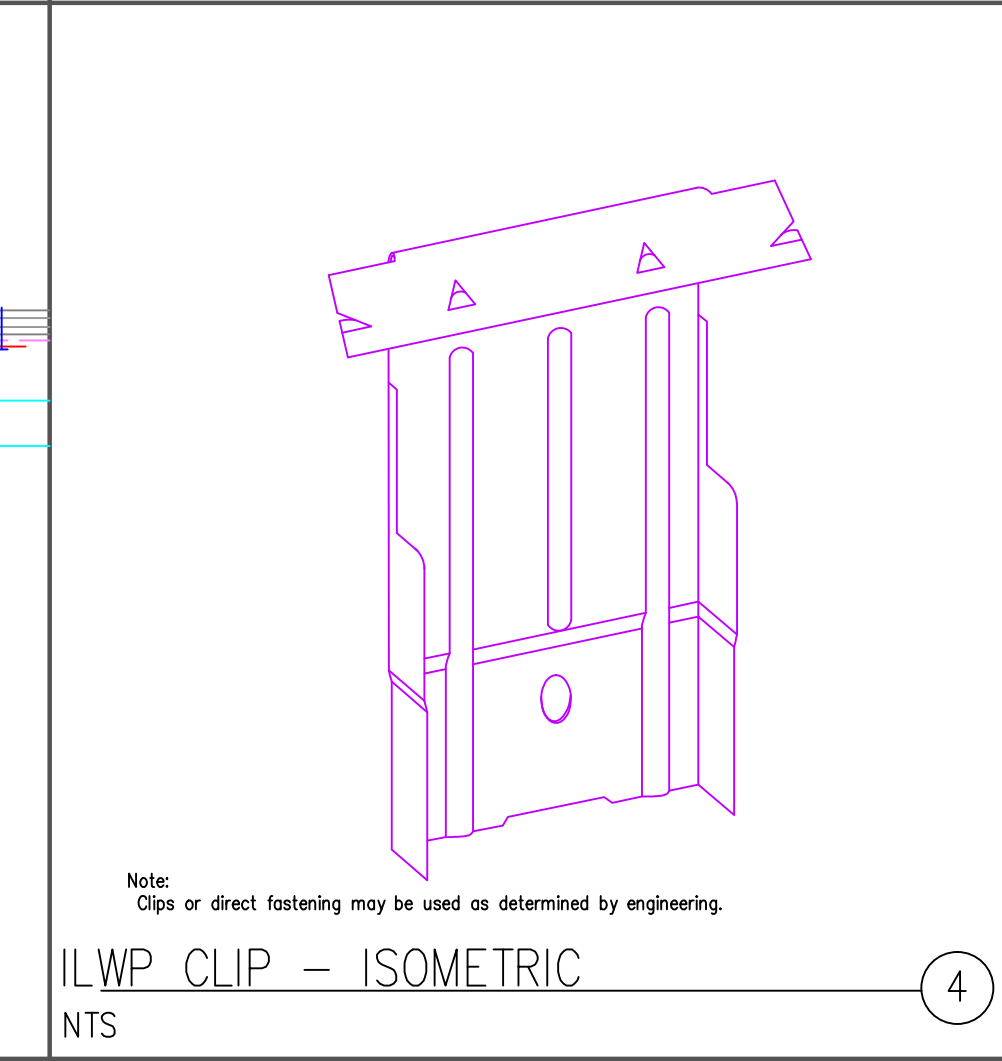
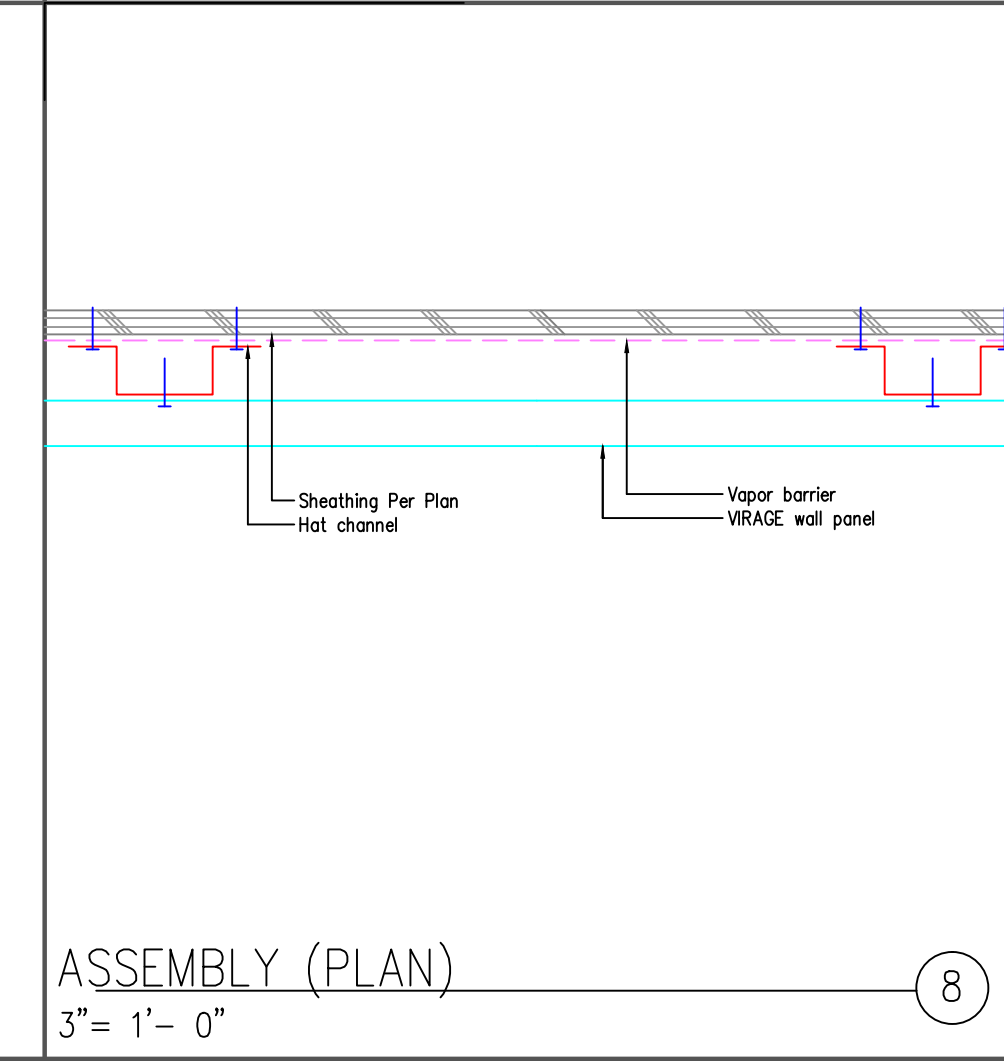
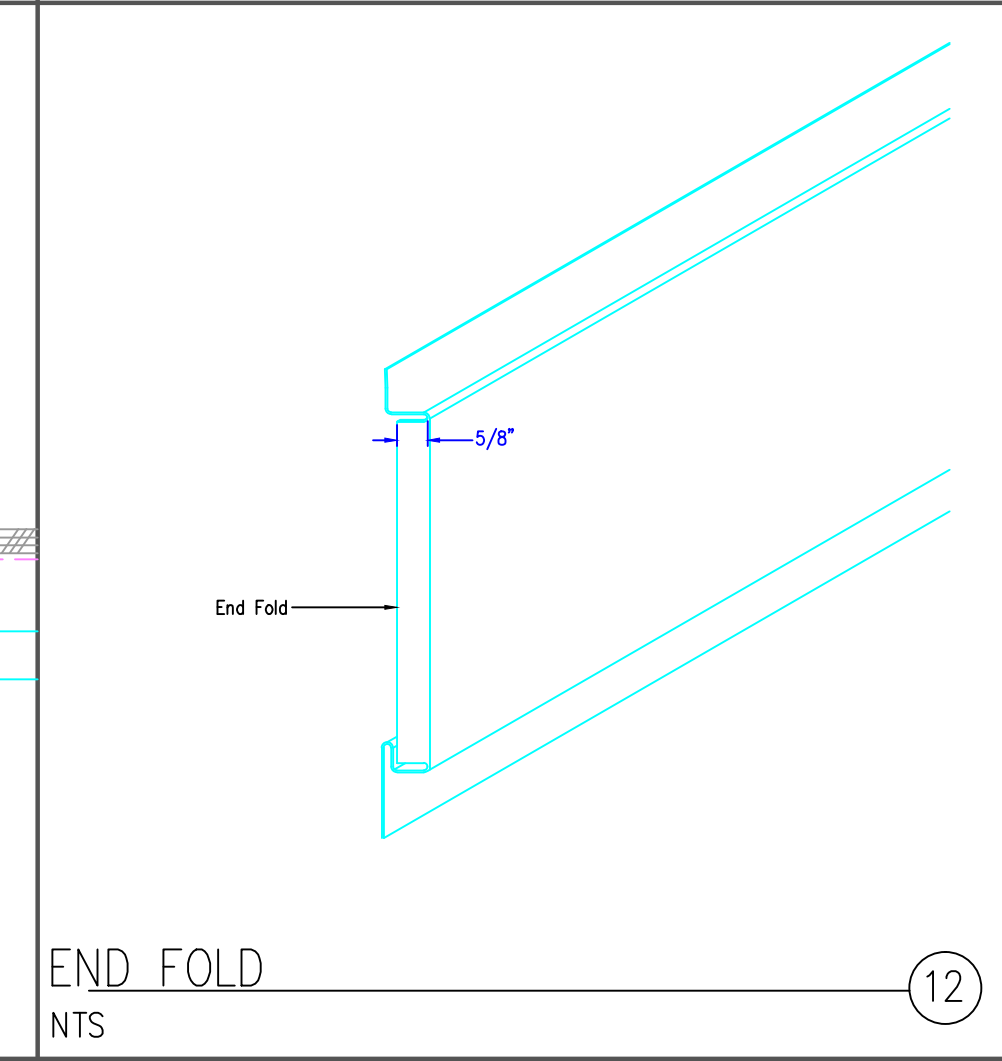
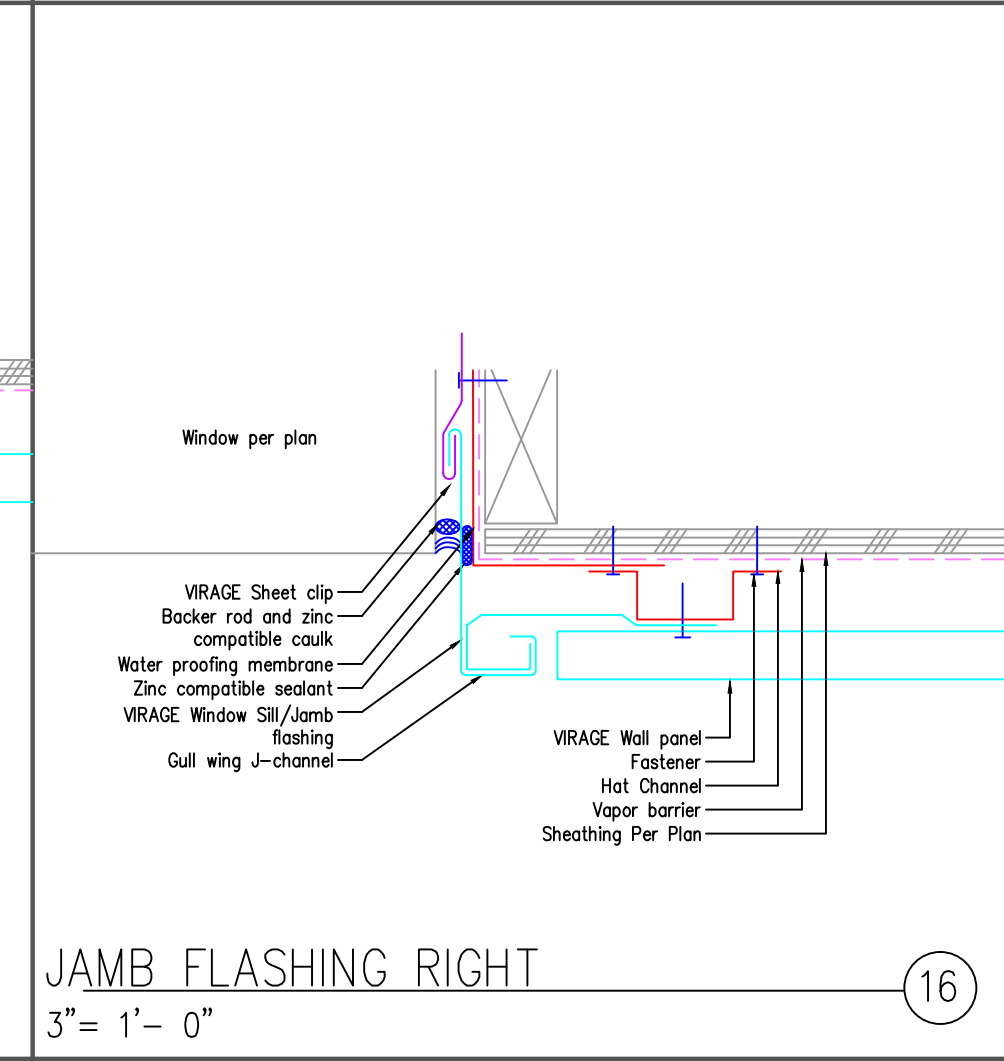
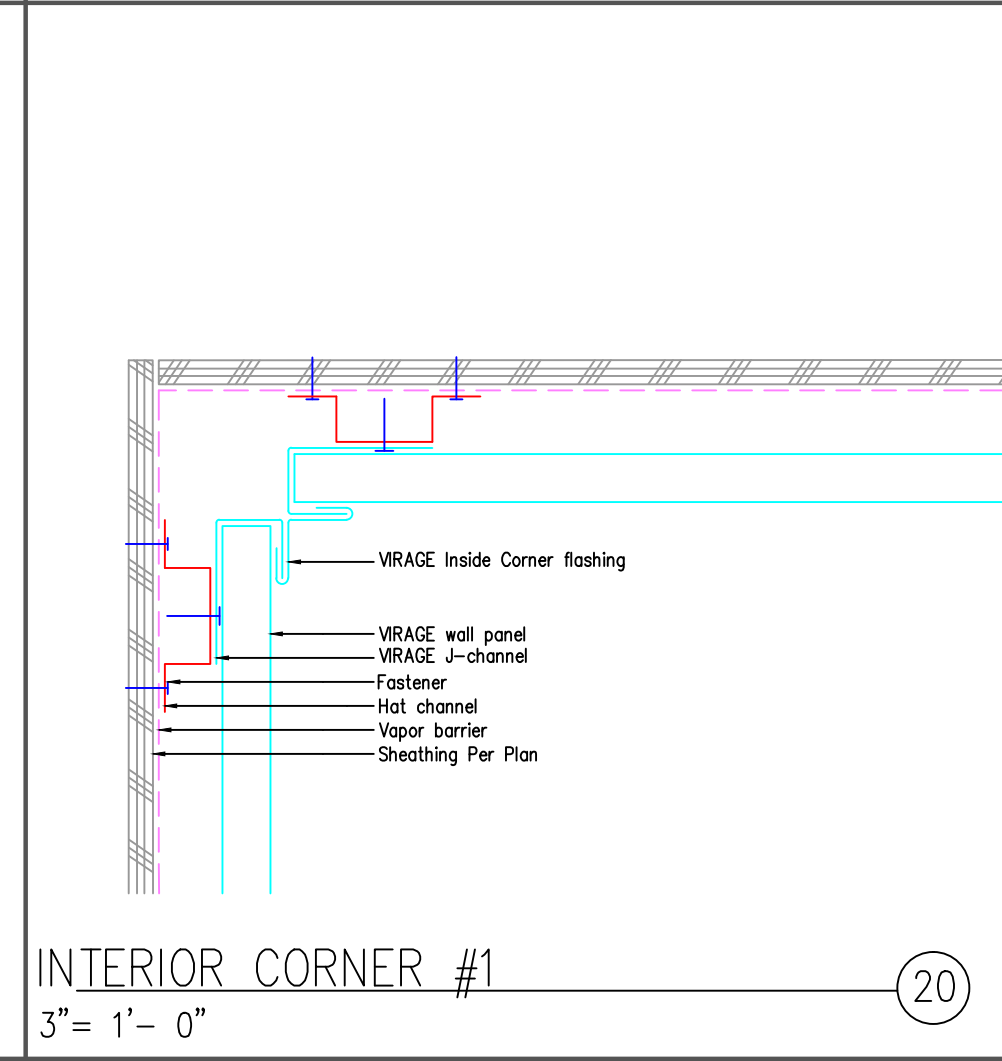
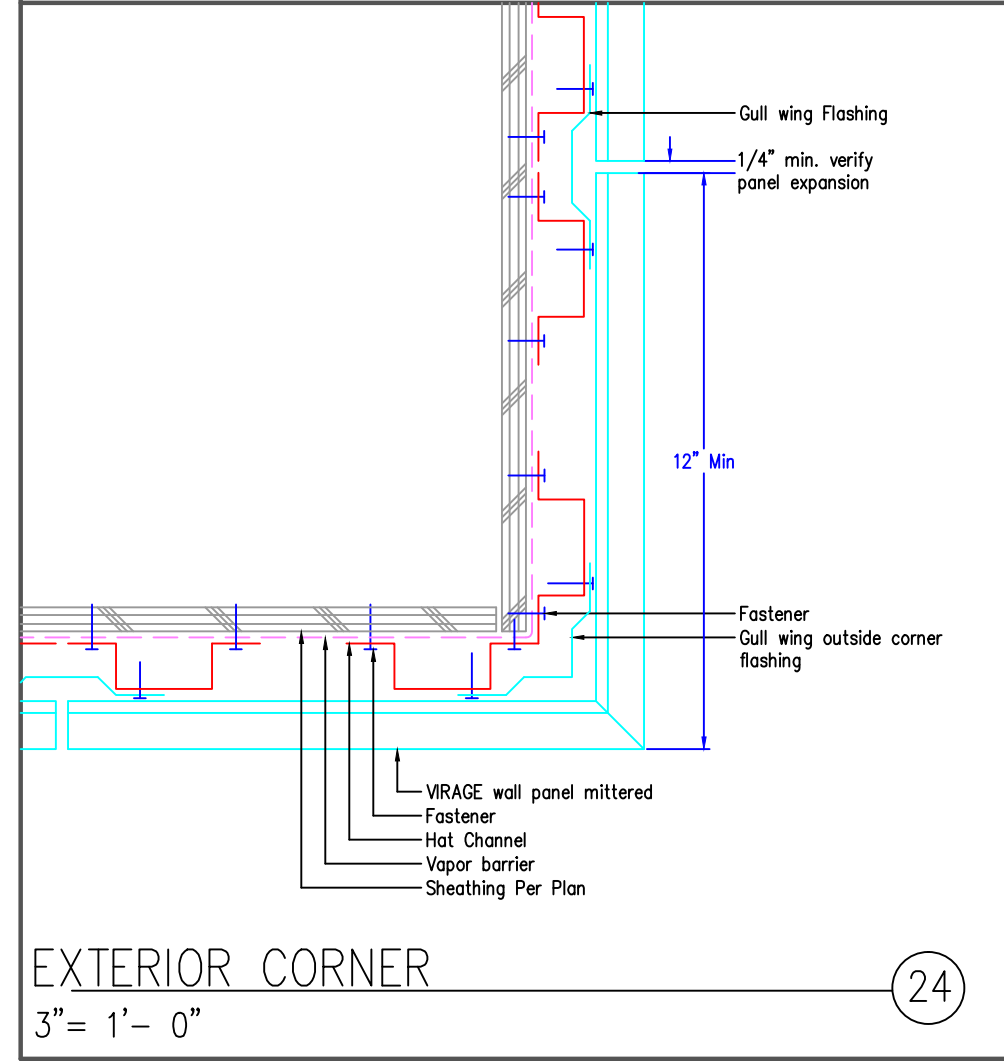
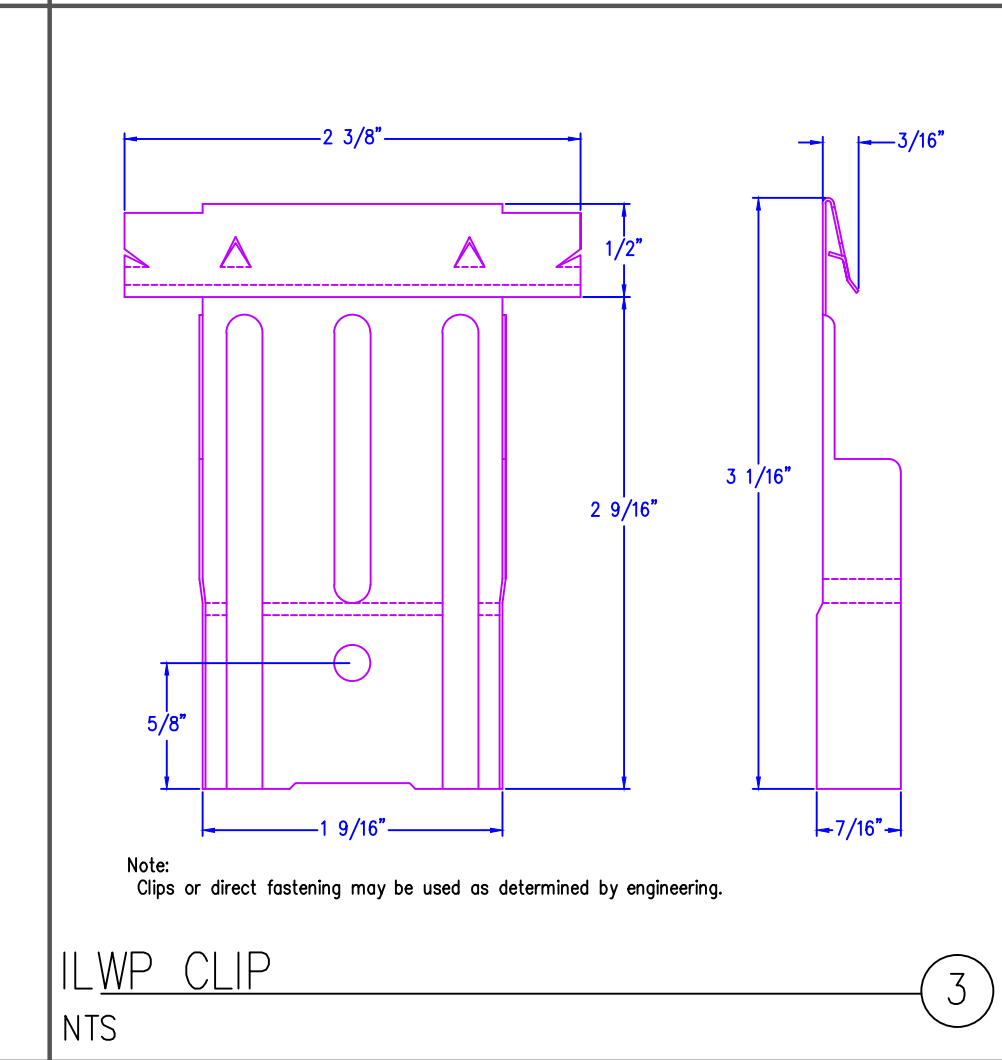
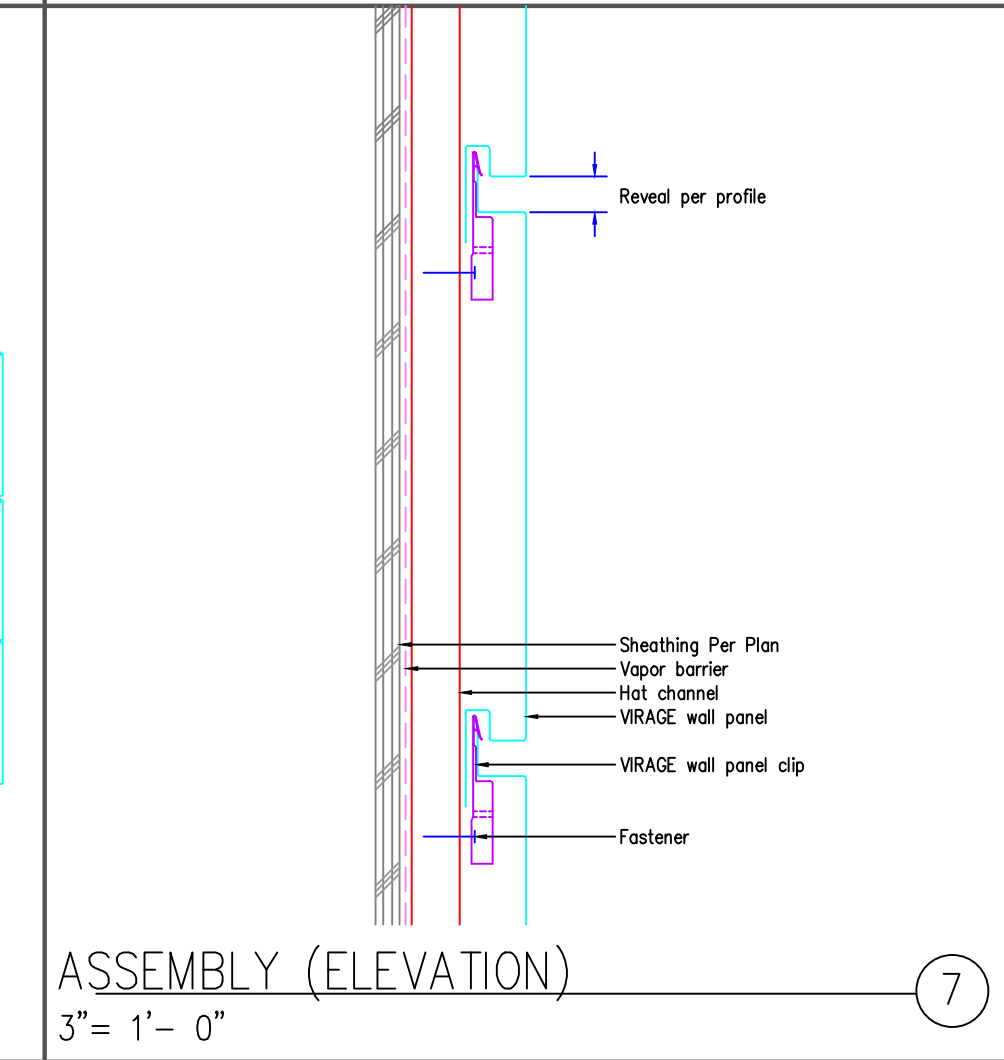
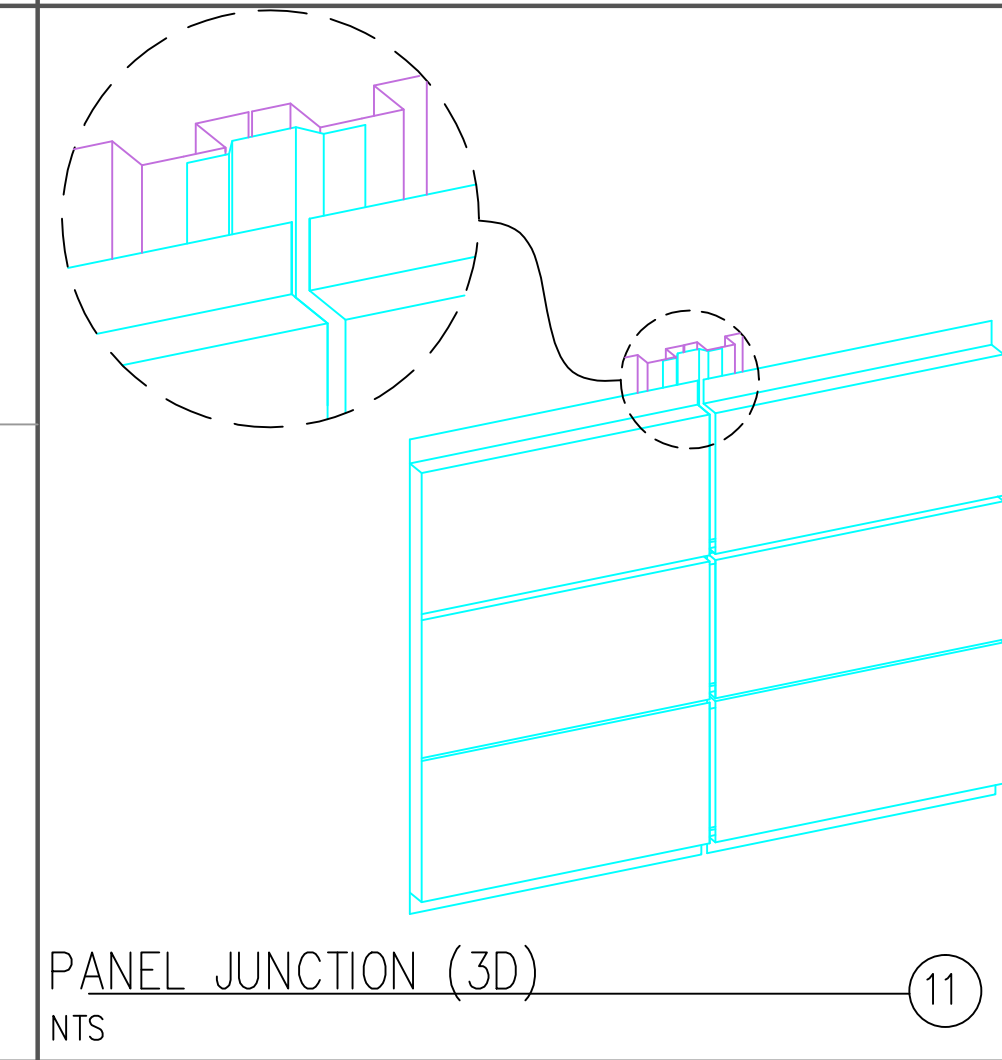
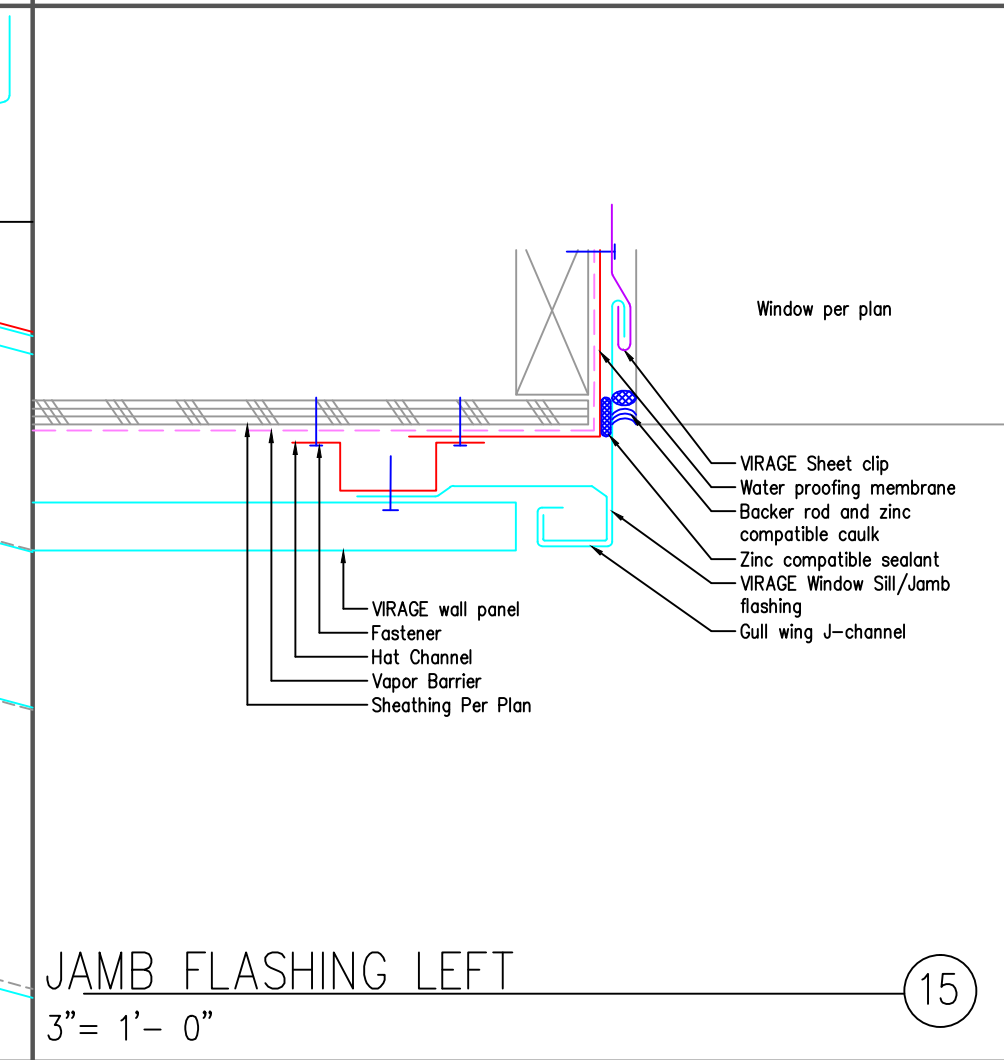
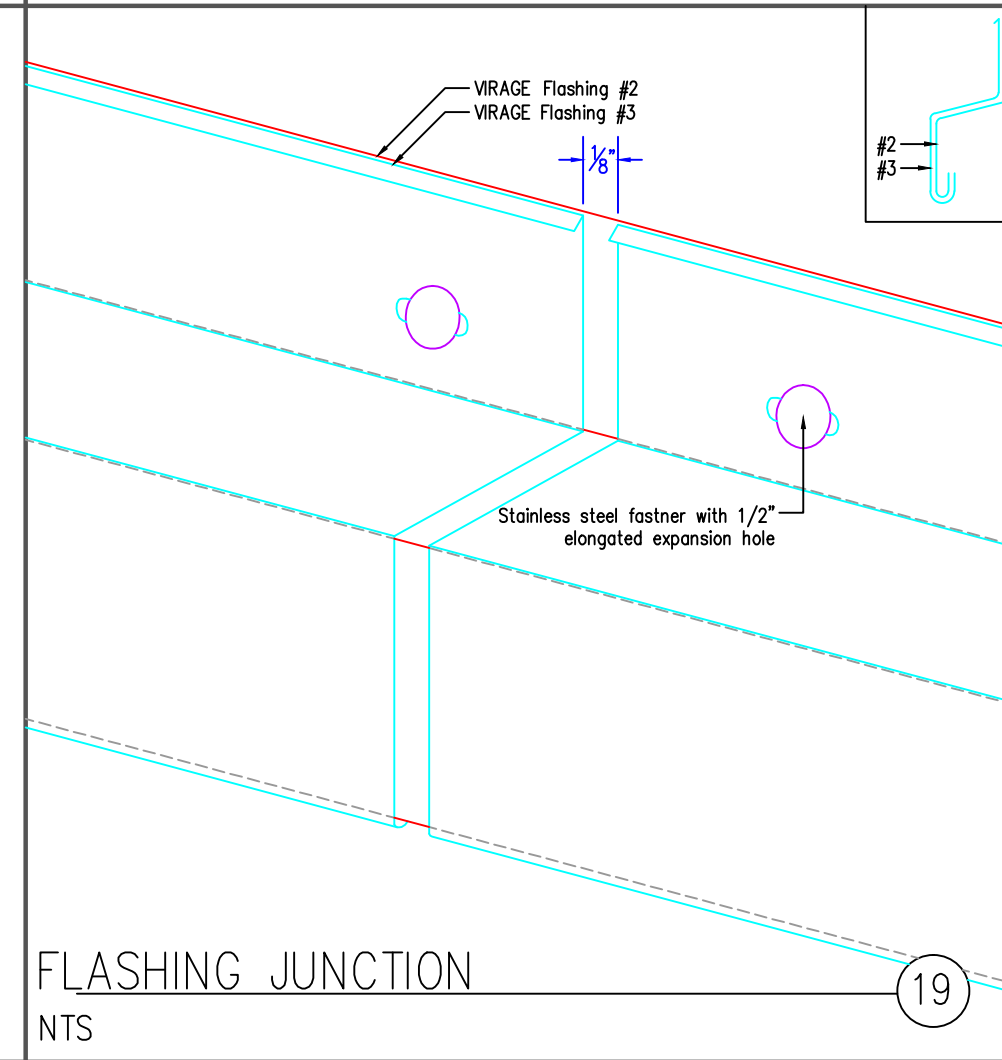
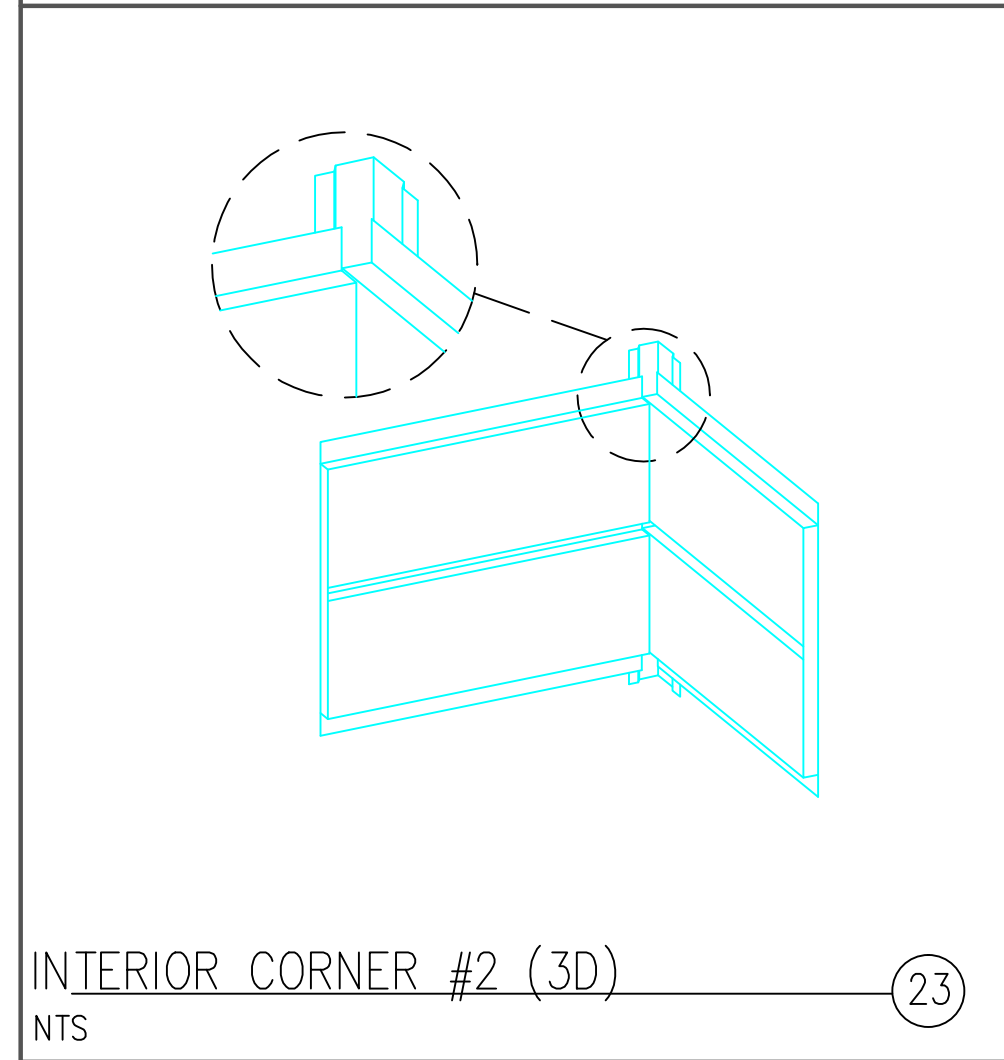
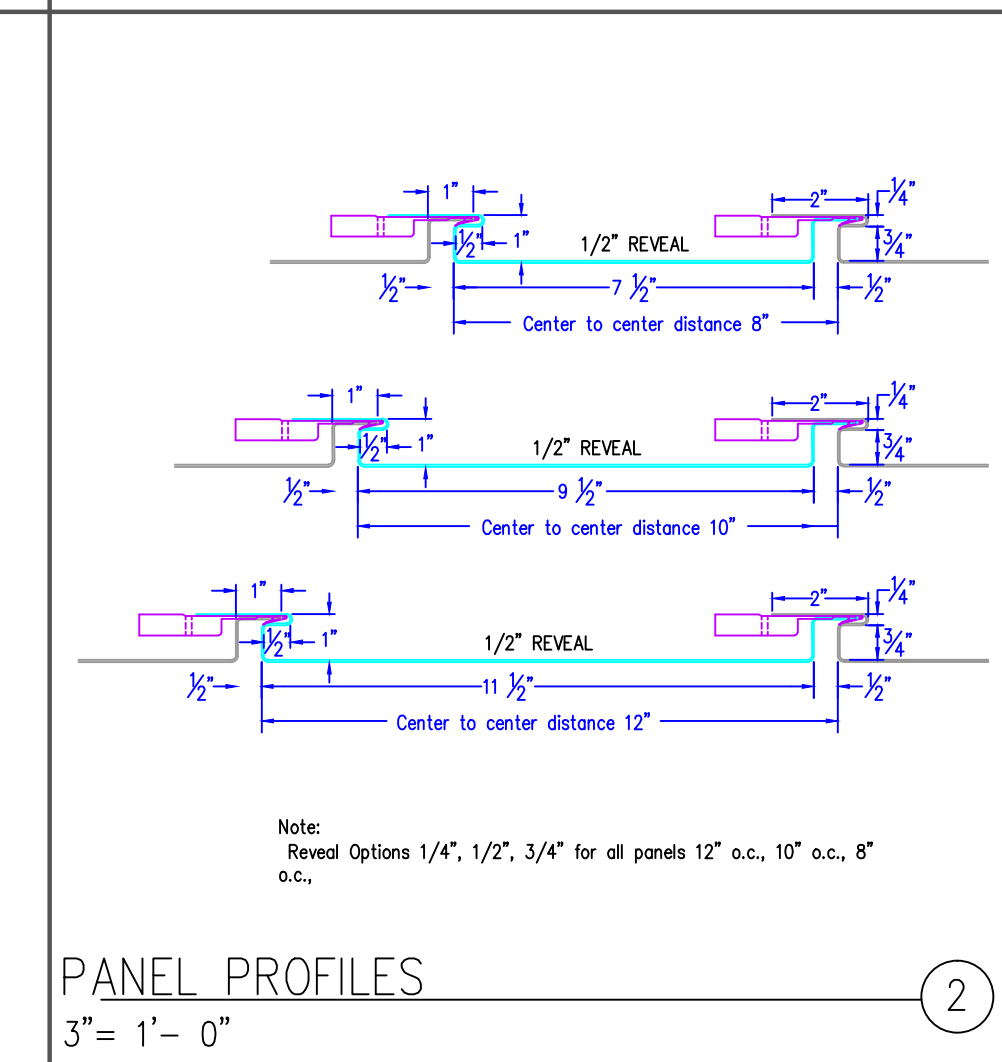
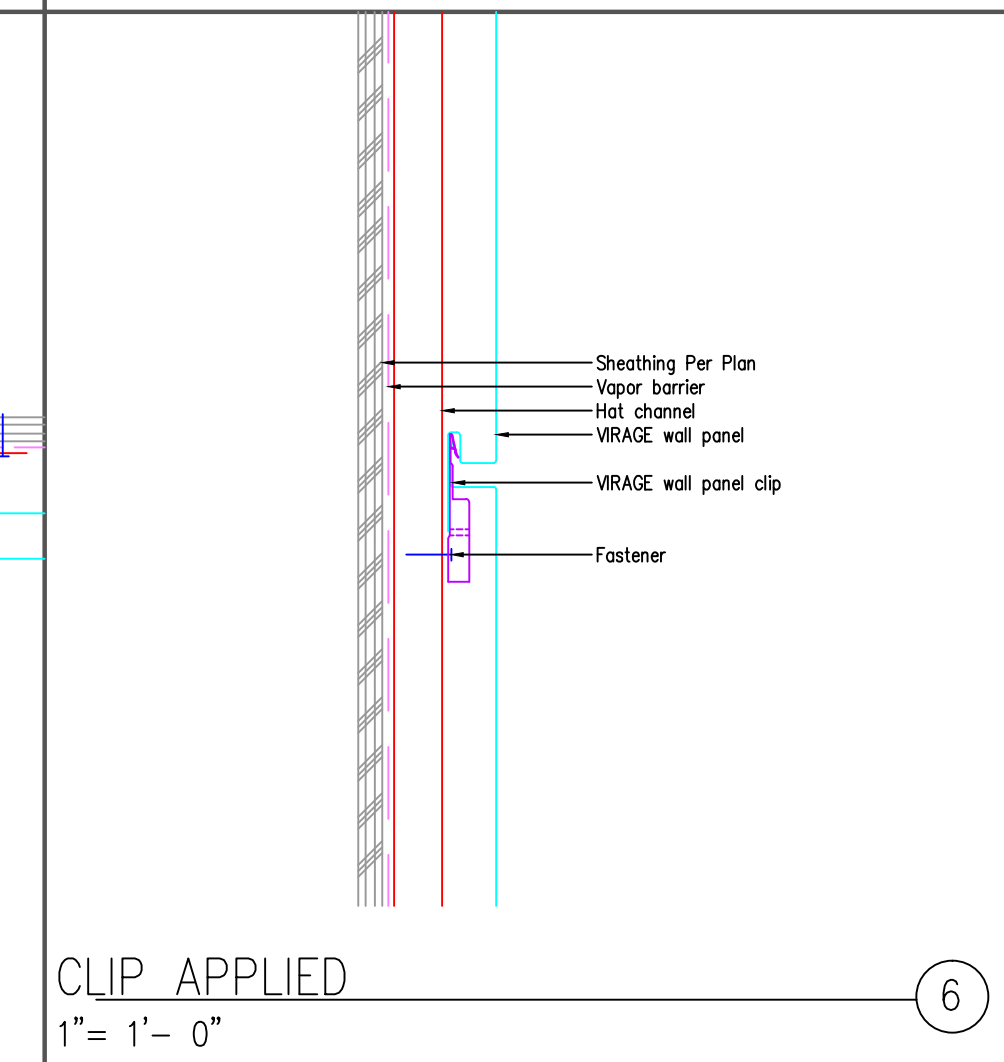
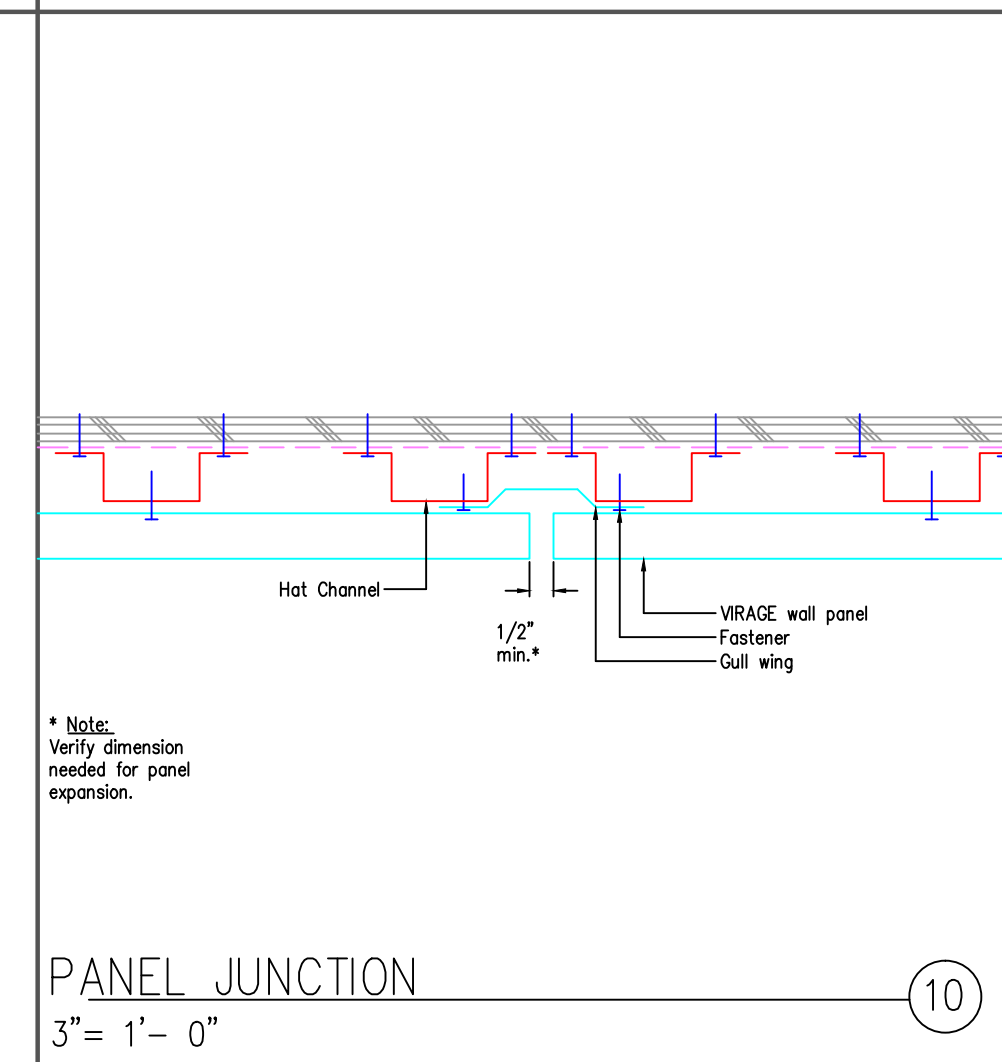
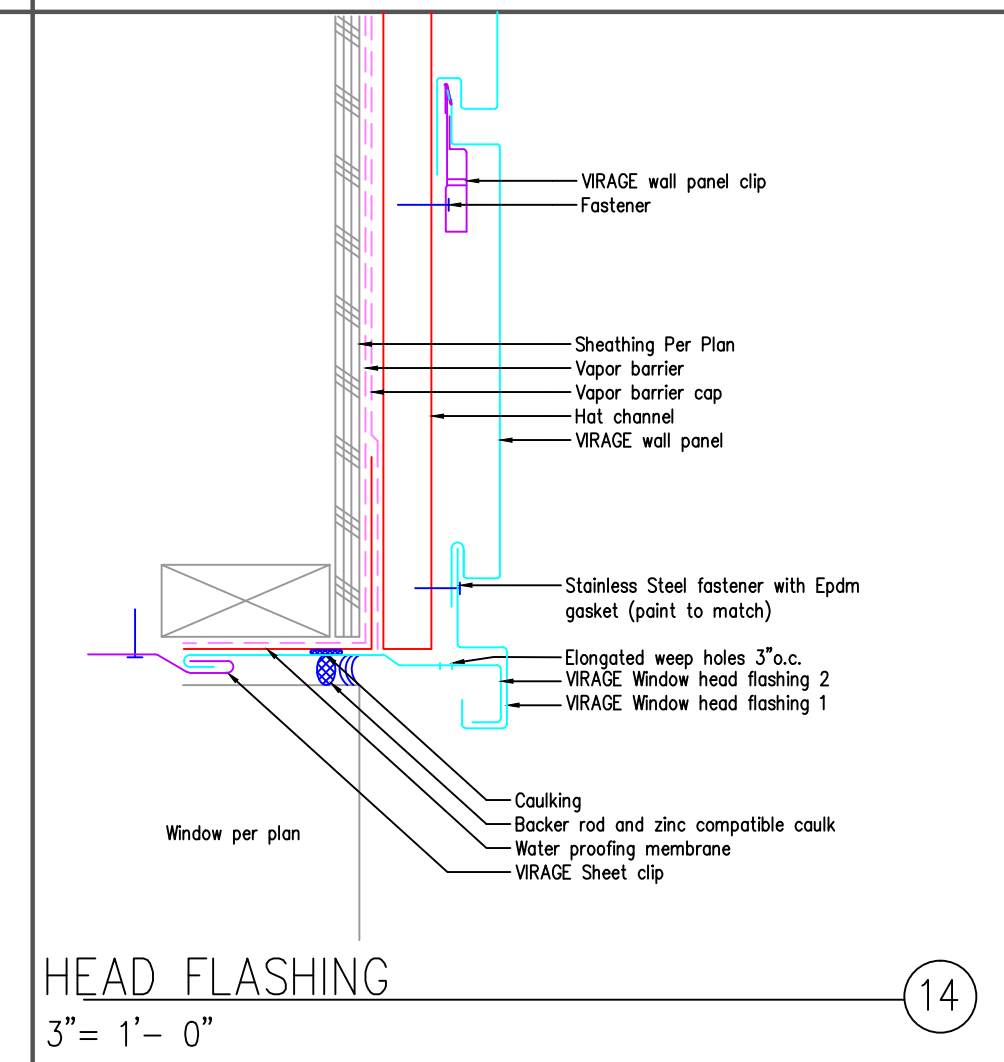
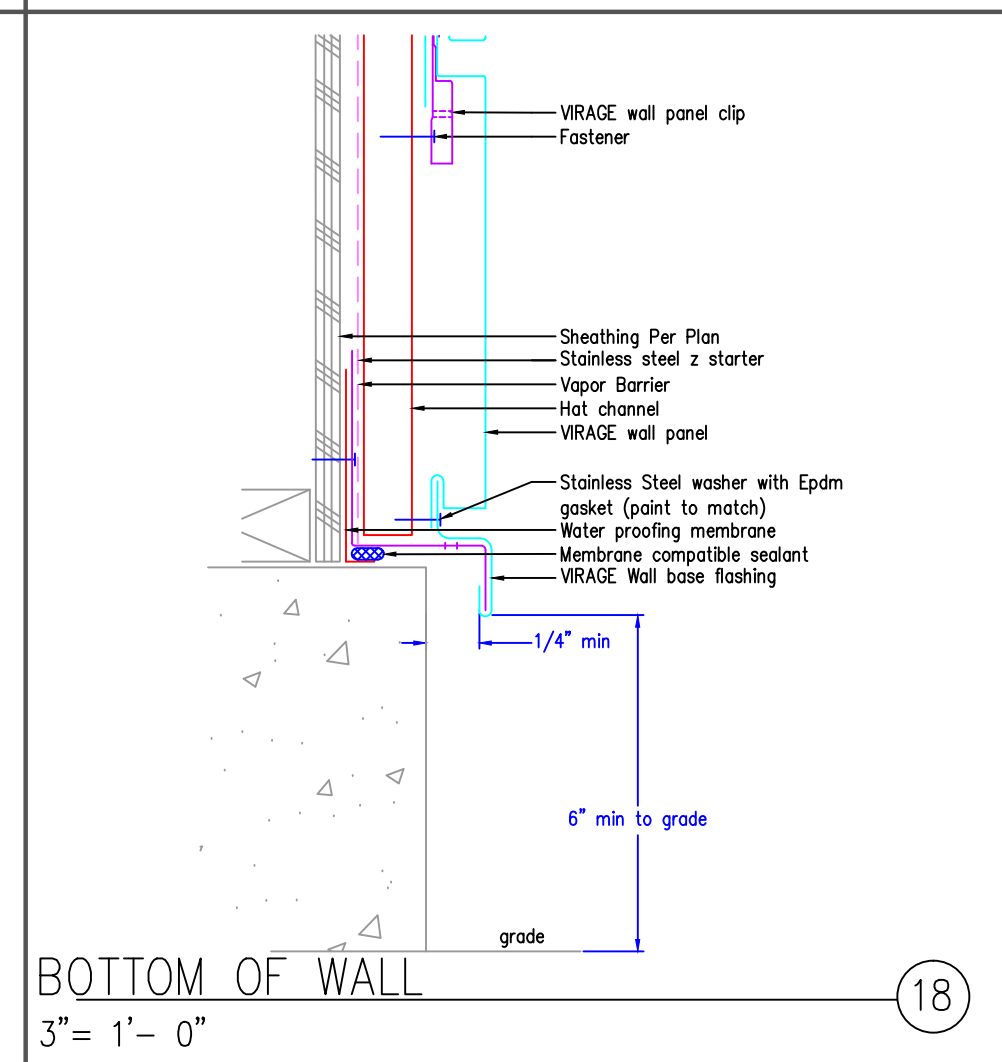
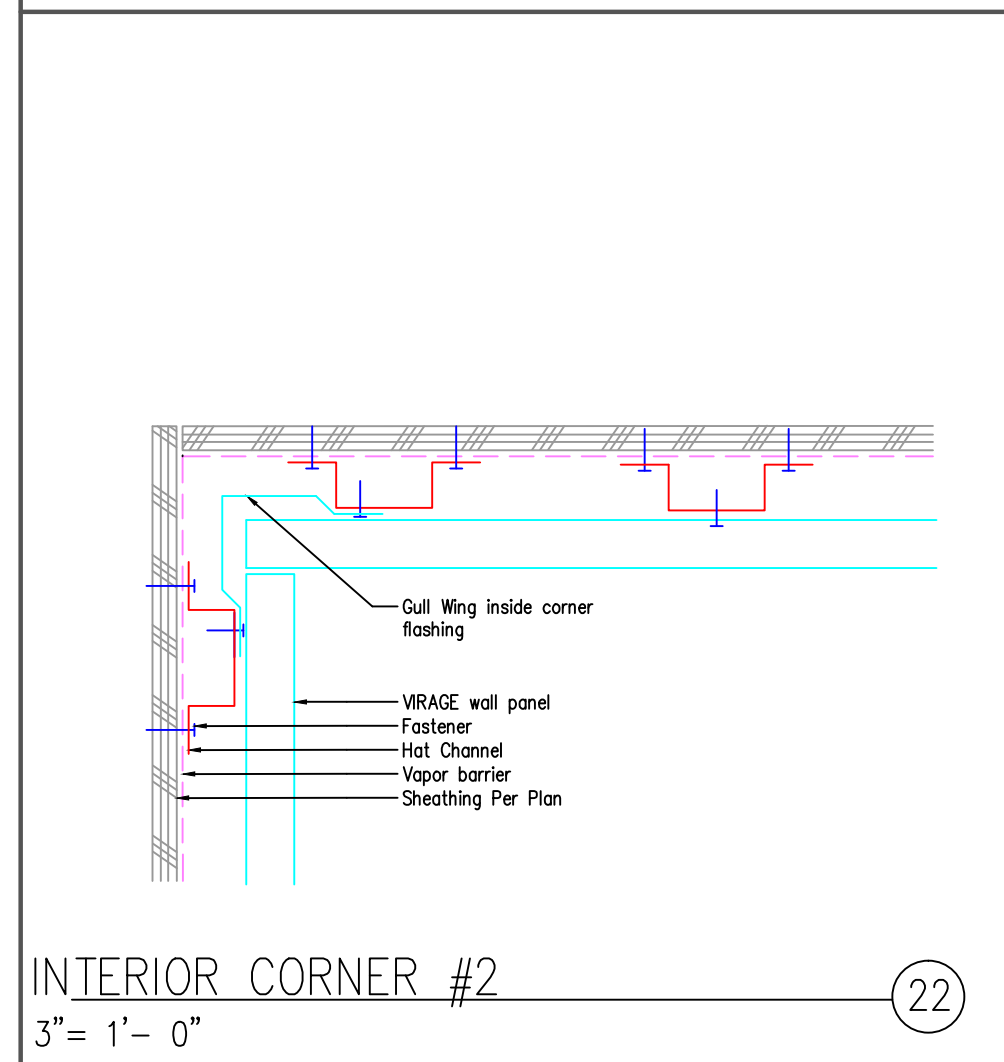
Drawing #:

A.1



TECHNICAL DATA SHEET

VIRAGE PANEL		Panels per crate: ~ 60 panels	
Max Length Dims: 20'-0" Horiz	12'-0" Vert	Per LF	C.C. x LF
Reveal	1/4", 1/2", 3/4"	Per crate	N/A
On Center:	8" - 12"	Thickness:	1.0mm
R1:	Convex: 100' field Concave: 100' field	Weight:	1.0 mm 2.0 lb/ lf
R2:	10' field 10' field		



Project Manager:

Drawn By: EW
 Date: 06.09.11
 Checked By:
 Check Date:

Distribution: Date
 FIRST SUBMITTAL XX.XX.XX

Revisions:

#	Date:	Description:
*	*	*

Arch/Eng:

Customer:

Job Name:

Drawing Title:

VIRAGE DETAILS

Job Location:

Finish:

QUARTZ

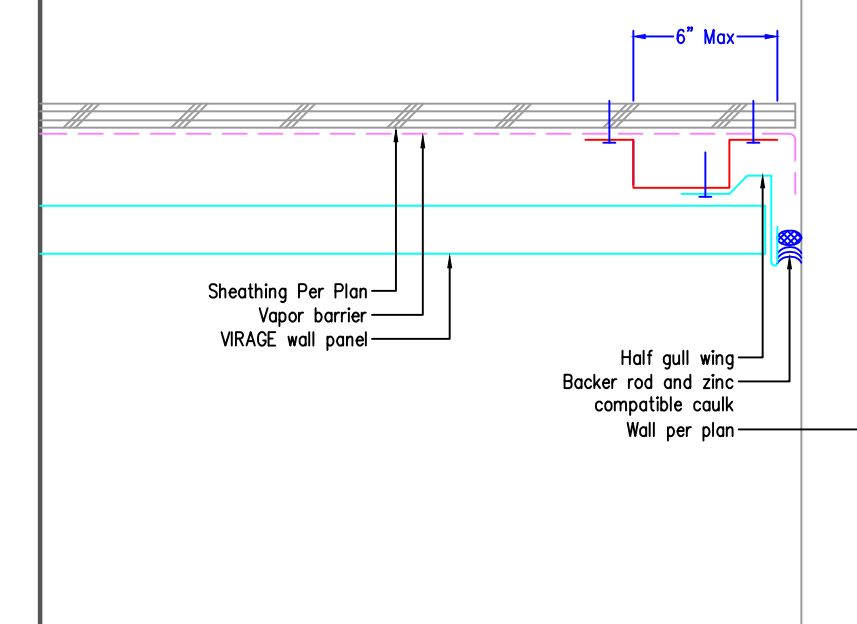
This drawing was prepared in accordance with information submitted. Changes to drawings may incur charges as stated in the price list.

Signed approval of submitted drawing is required prior to manufacture. Approval of drawing acknowledges that it is correct and supersedes all previous sets of drawings and/or specifications related to this order. Any changes, corrections or remakes of products manufactured in accordance to approved drawings will be at purchaser's expense.

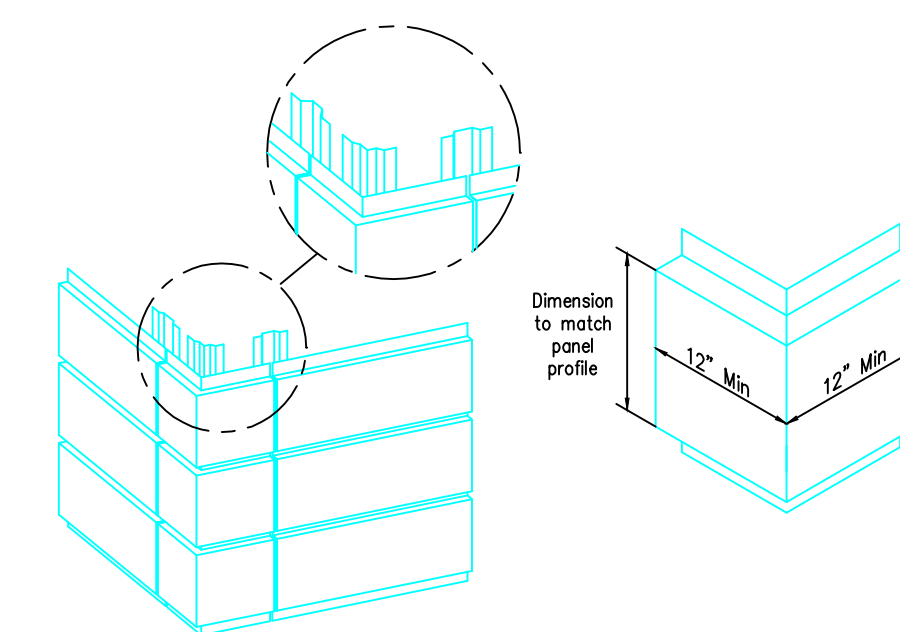
Confidential and proprietary information of Bunting Graphics, Inc. may not be used or reproduced without Bunting's prior written consent. No part of this drawing, design, arrangement or idea thereon shall be duplicated or used for any purpose without express written permission of Bunting Graphics.

Drawing #:

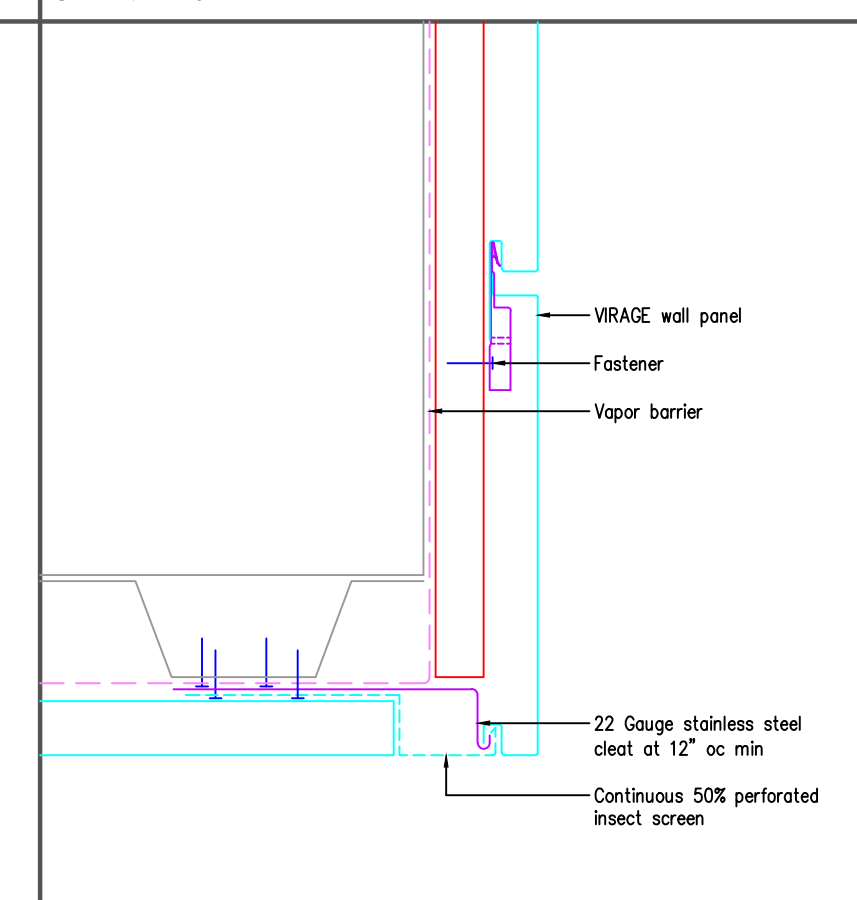
A.2



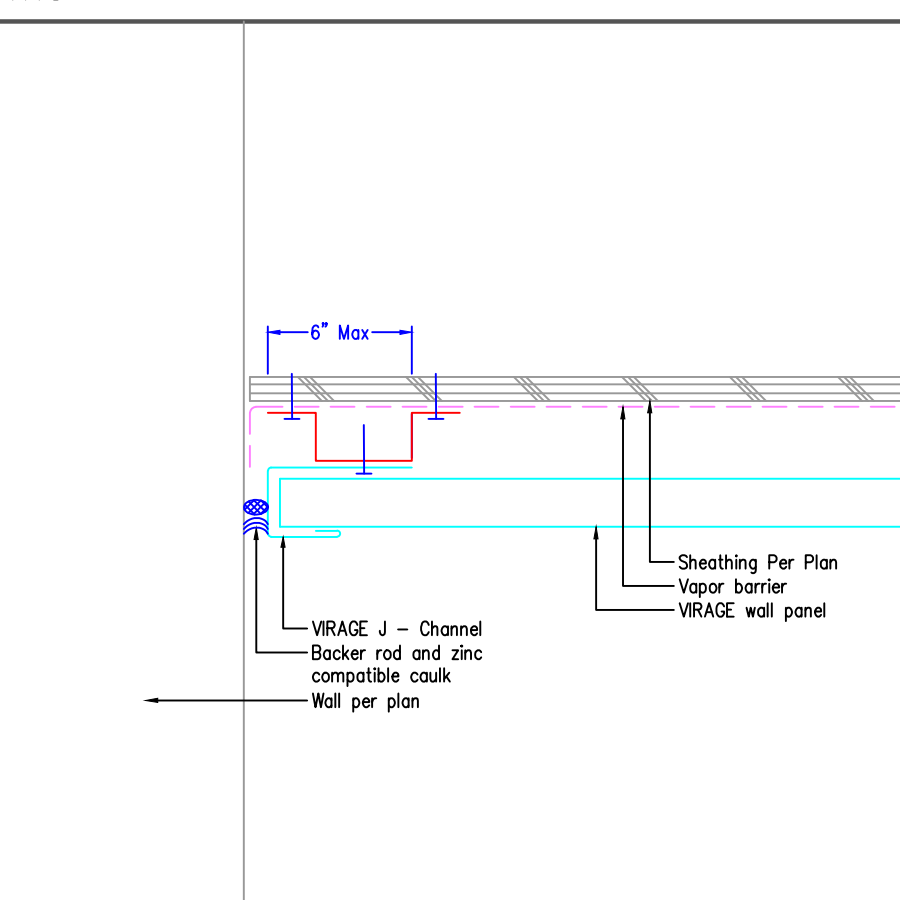
END OF WALL (RIGHT) OPTION 2
 3" = 1'- 0" (29)



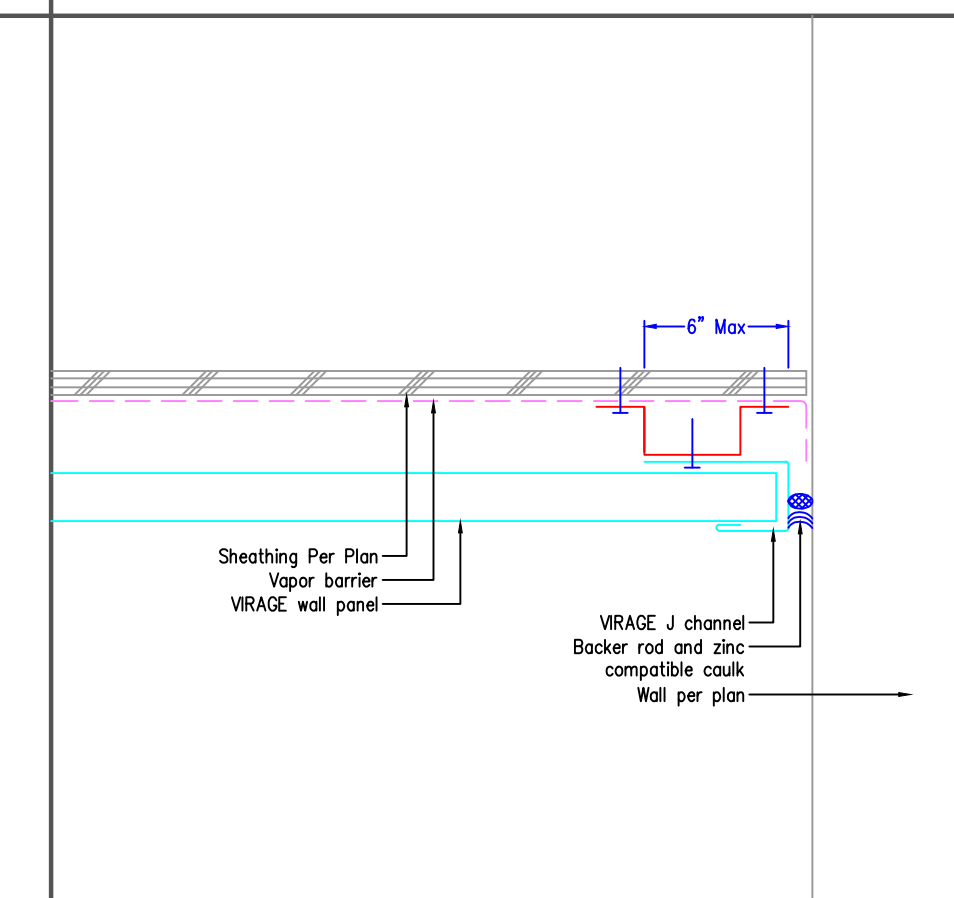
EXTERIOR CORNER (3D)
 NTS (25)



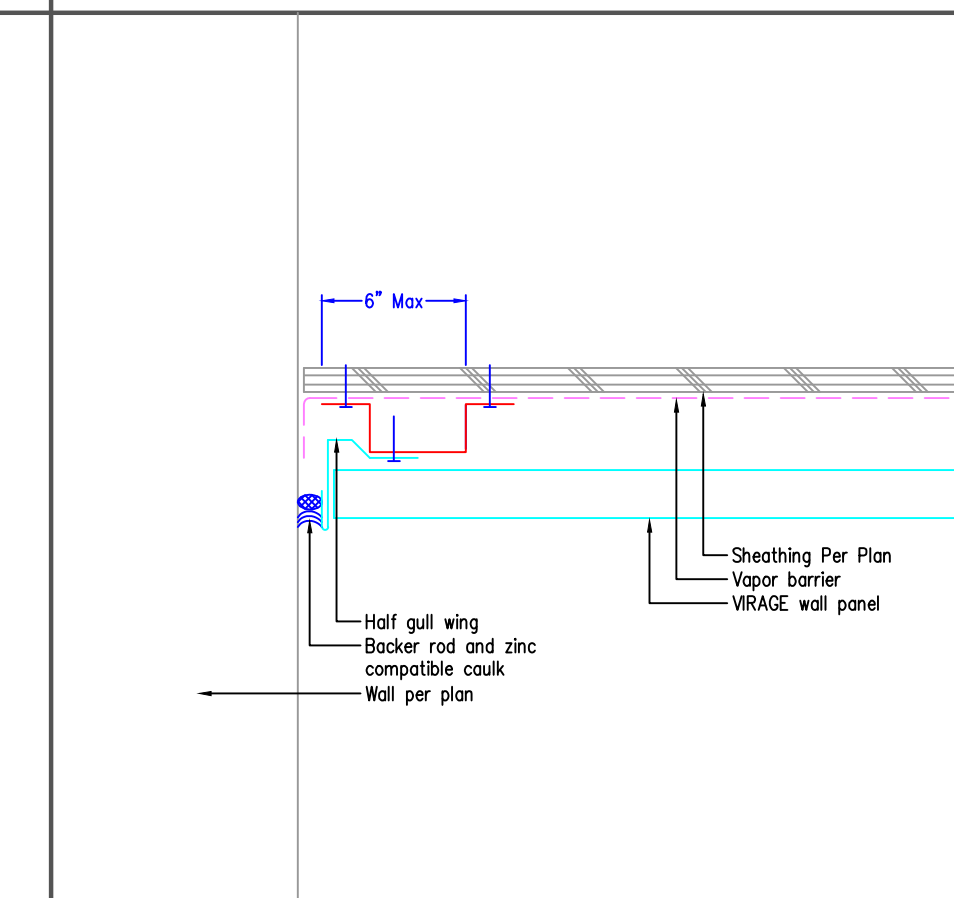
SOFFIT
 3" = 1'- 0" (30)



END OF WALL (LEFT) OPTION 1
 3" = 1'- 0" (26)



END OF WALL (Right) OPTION 1
 3" = 1'- 0" (27)



END OF WALL (LEFT) OPTION 2
 3" = 1'- 0" (28)