

Table of Contents

- 1 Cover
- 2 Table of Contents
- 3 System Features
- 4 Panel Depth
- 5 Typical Details

System Features

Features:

- The Vision Panel System allows the use of various depth flat or tapered panels as well as perforated panels.
- Concealed fasteners.
- Dry joint rain screen system.
- The Vision Systems consists of a limited number of components making them easy to configure and install.

Face Material and Thickness:

Face Material - Typical: Aluminum Sheet

Face Thickness - Typical: 0.063"

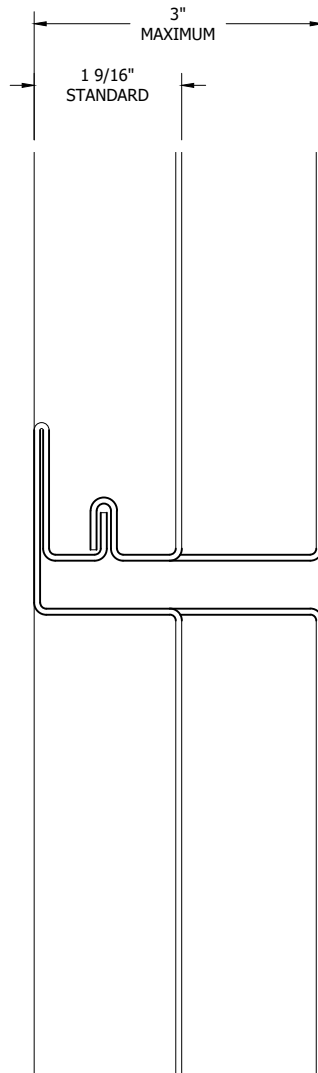
Face Thickness - Alternate: 0.050", 0.080"

Product Applications:

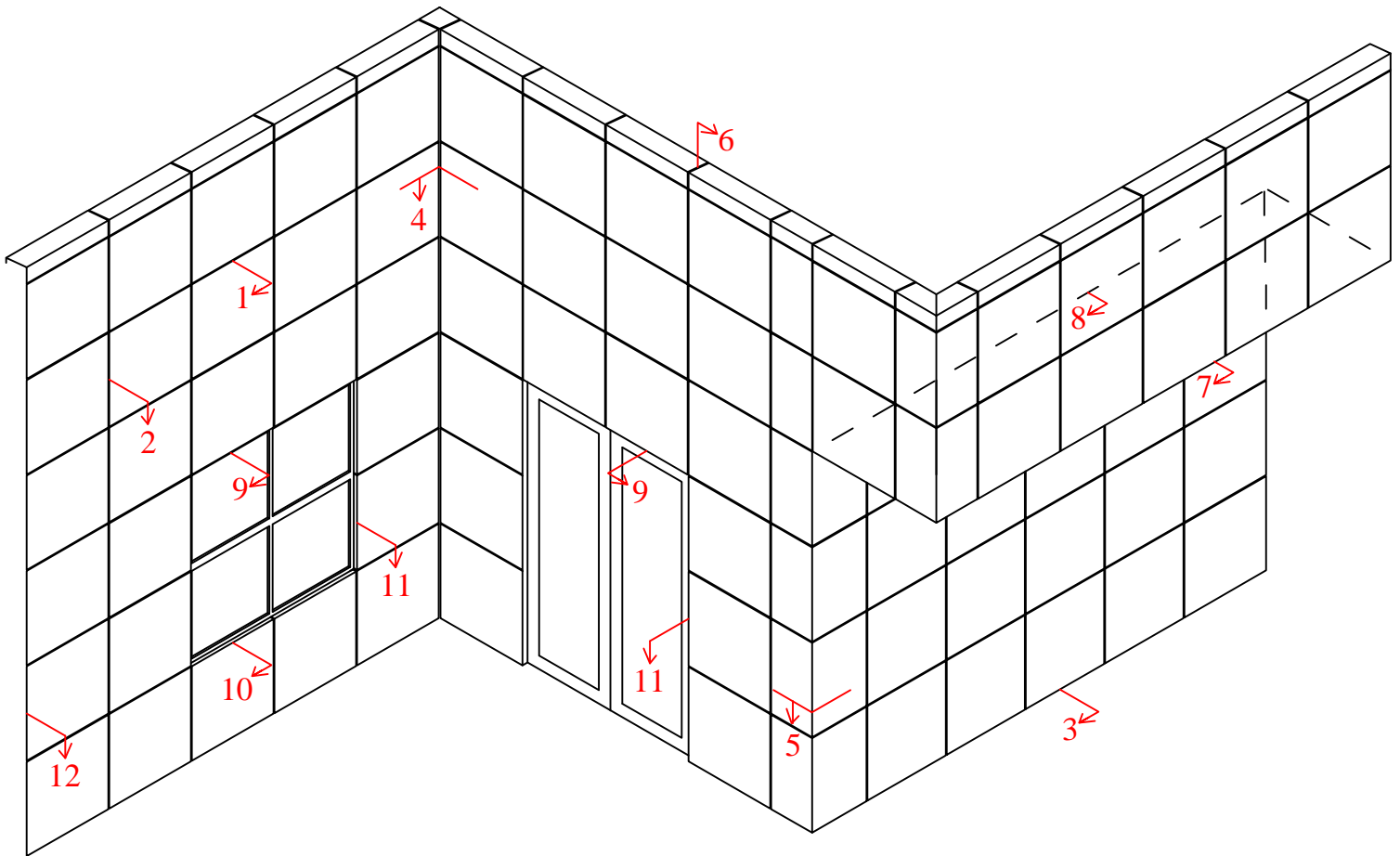
- Aria panels are designed to be installed in several applications such as vertical or horizontal wall panels, soffit panels, and corner panels.

Panel Depth

The Vision Panel System - Series features the ability to vary the panel depth from the standard depth of 1 9/16" up to a maximum of 3".

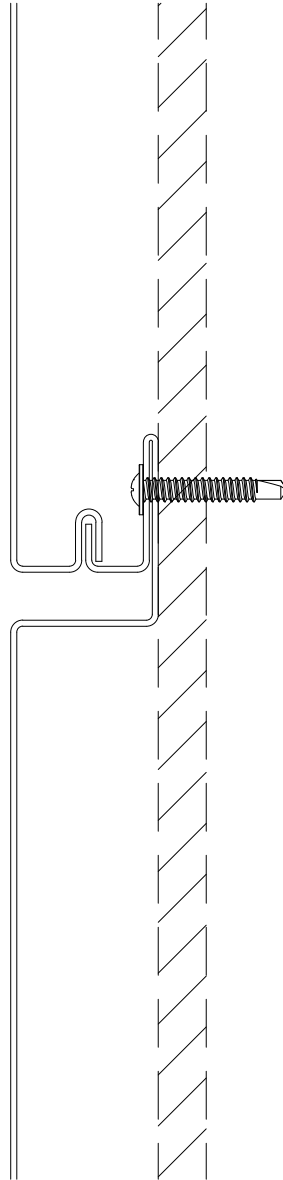


Detail Key

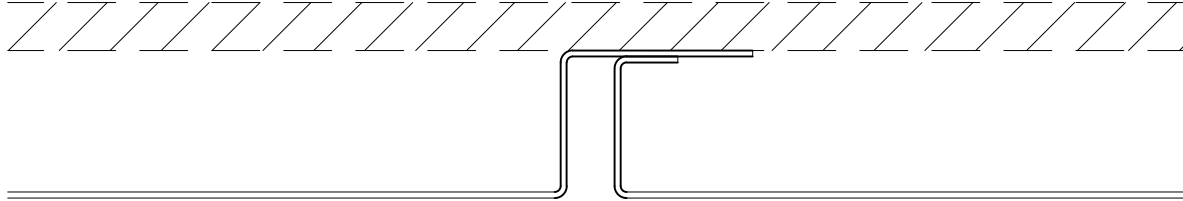


1. Horizontal Joint
2. Vertical Joint
3. Sill
4. Inside Corner
5. Outside Corner
6. Parapet
7. Fascia To Soffit
8. Soffit to Fascia
9. Opening Header
10. Opening Sill
11. Opening Jamb
12. End

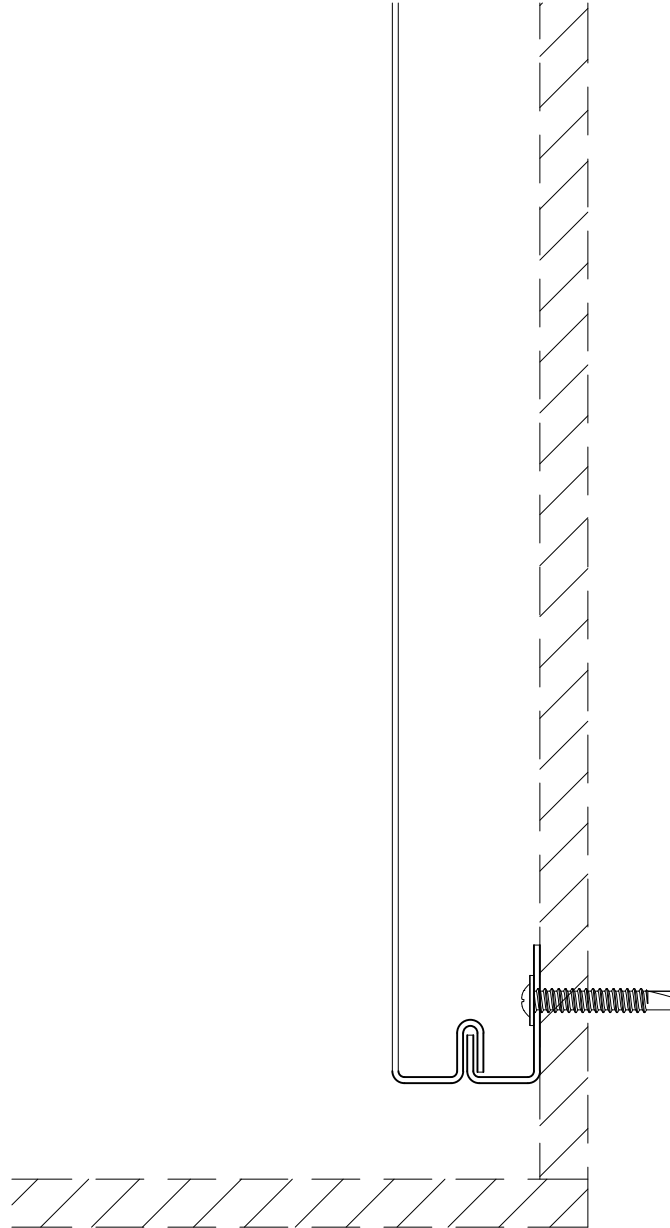
1 - Horizontal Joint



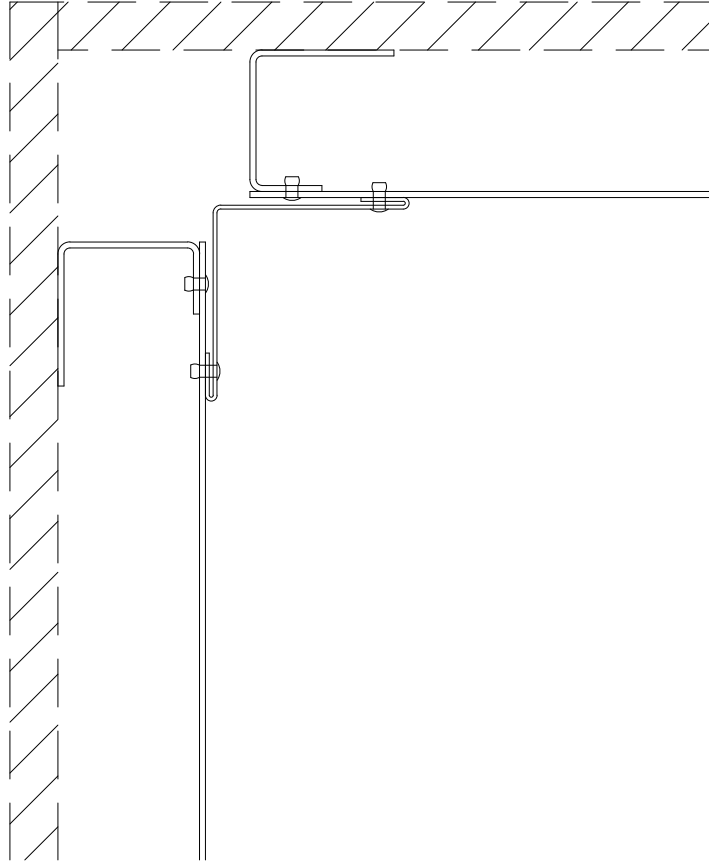
2 - Vertical Joint



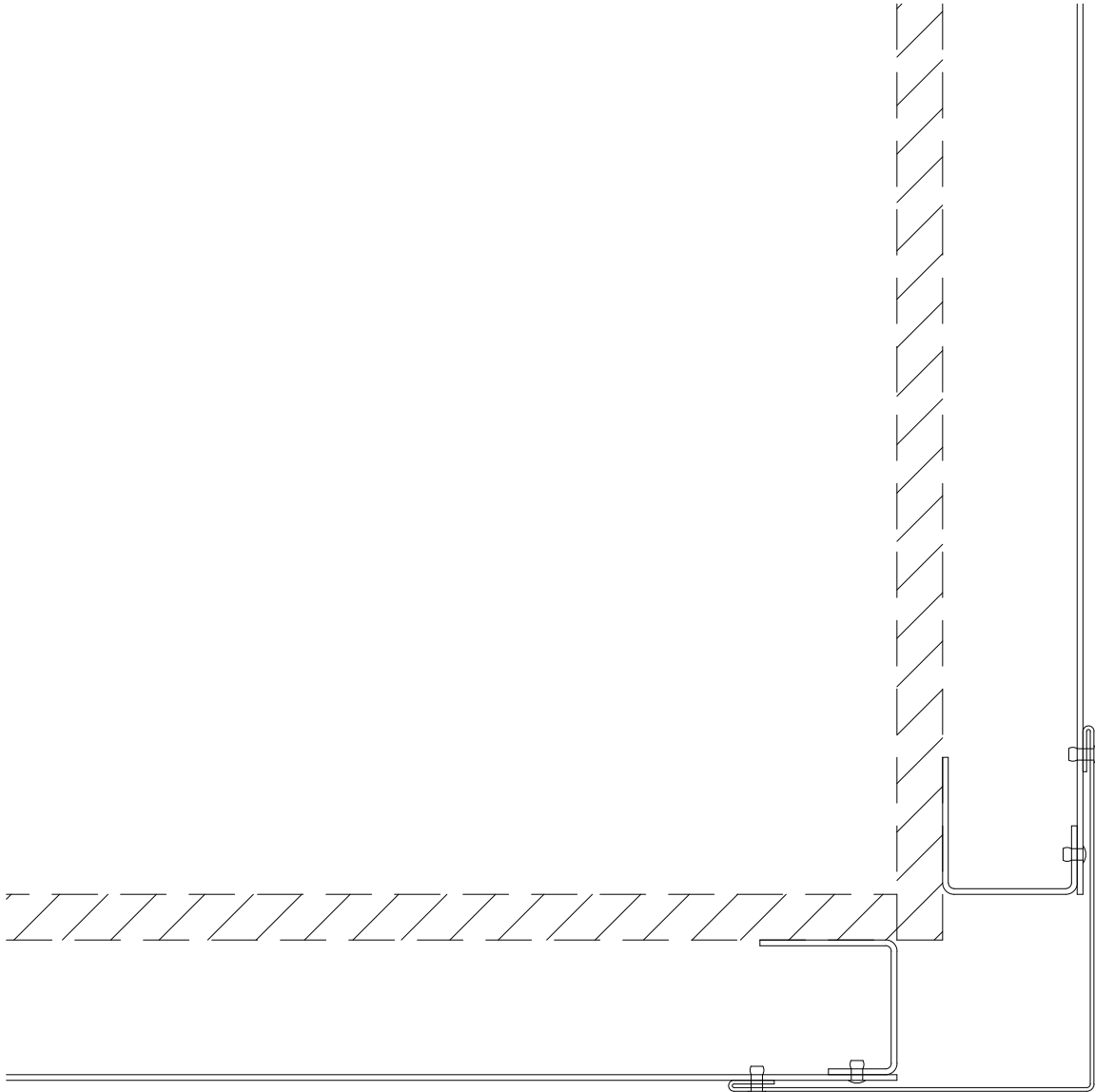
3 - Sill



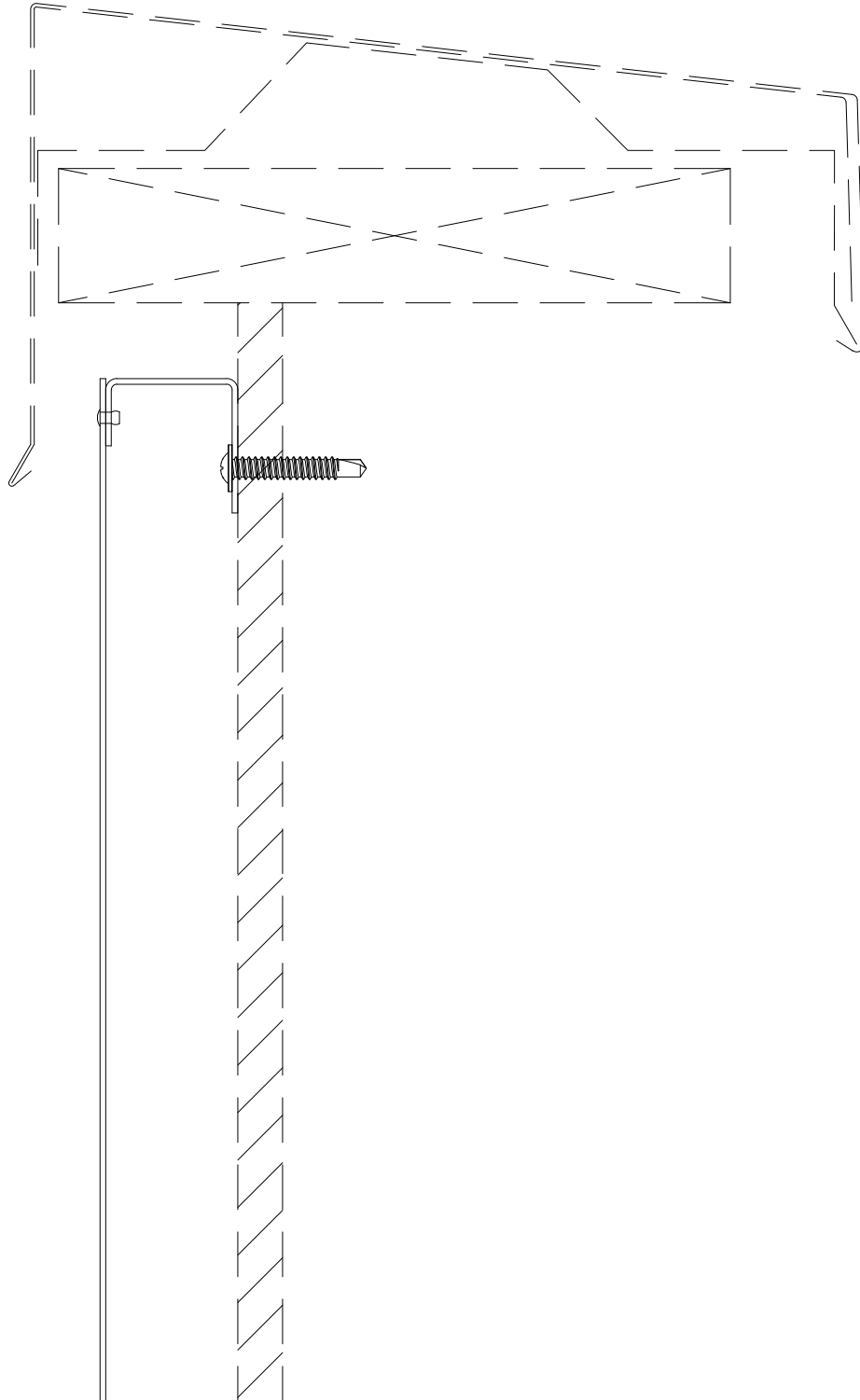
4 - Inside Corner



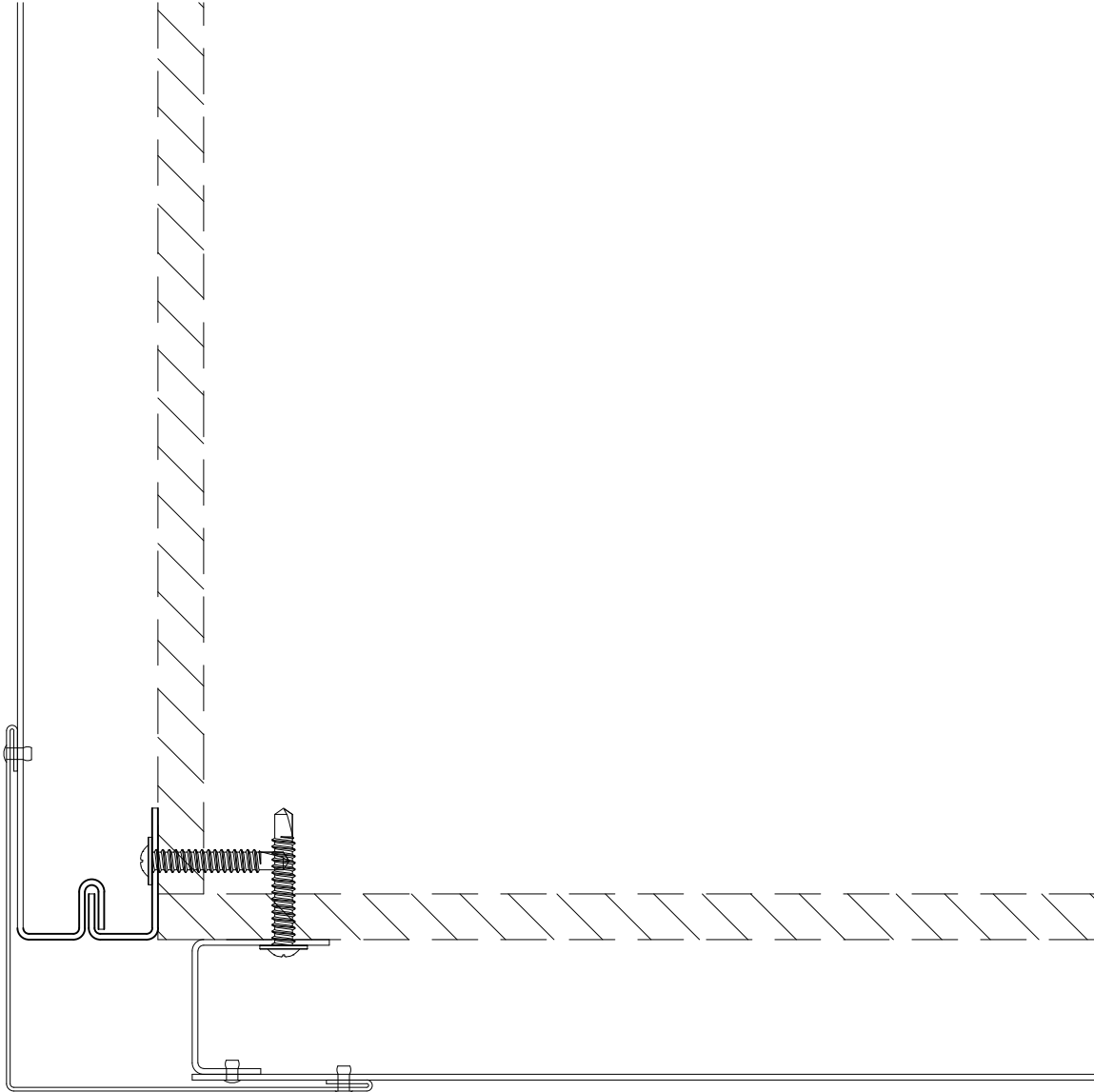
5 - Outside Corner



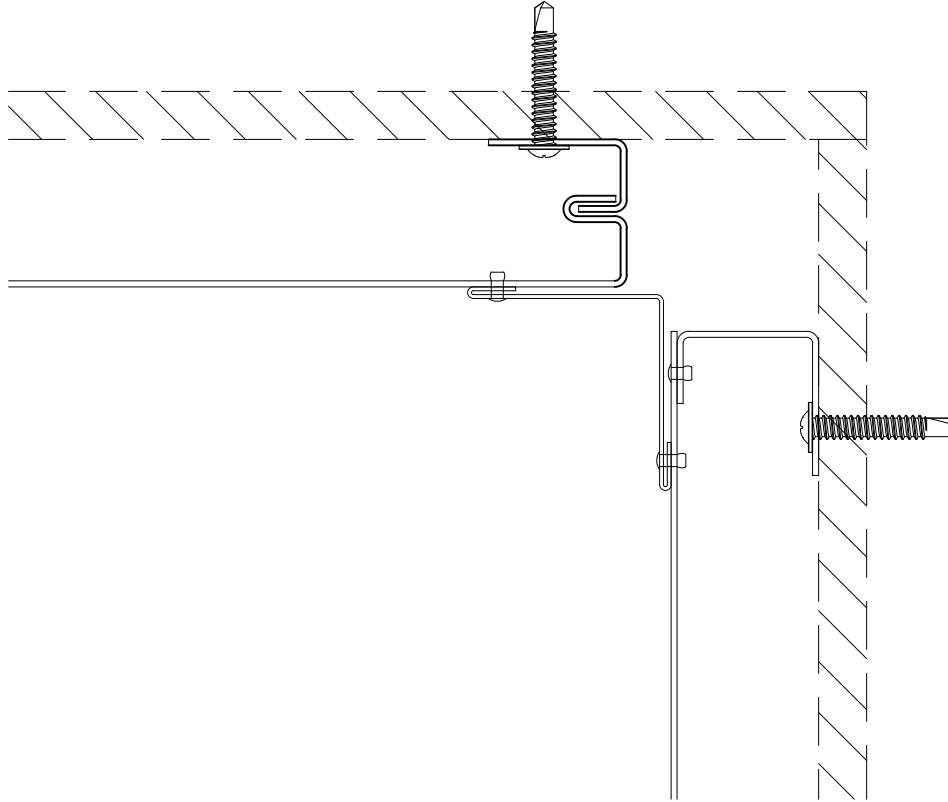
6 - Parapet



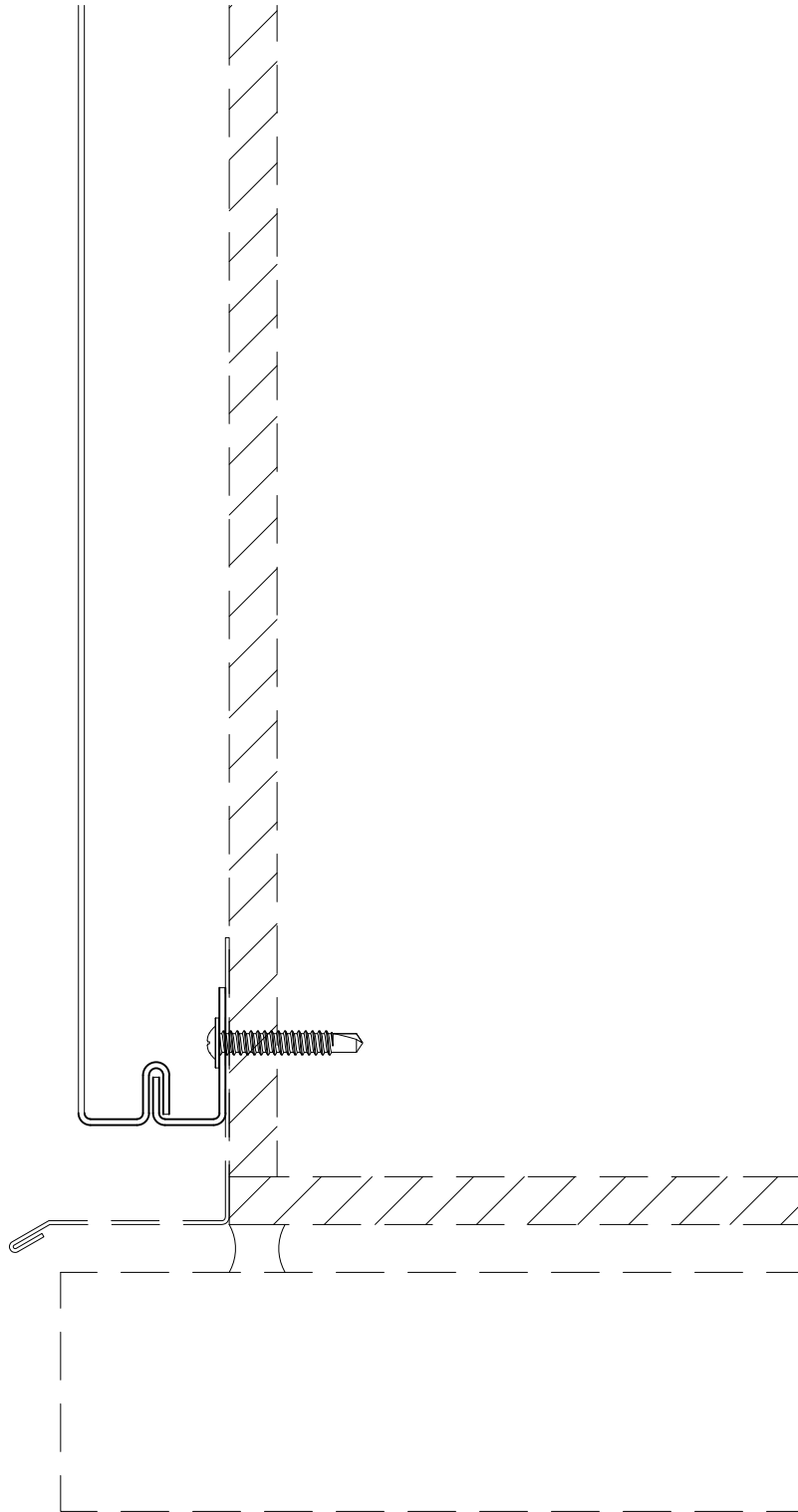
7 - Fascia to Soffit



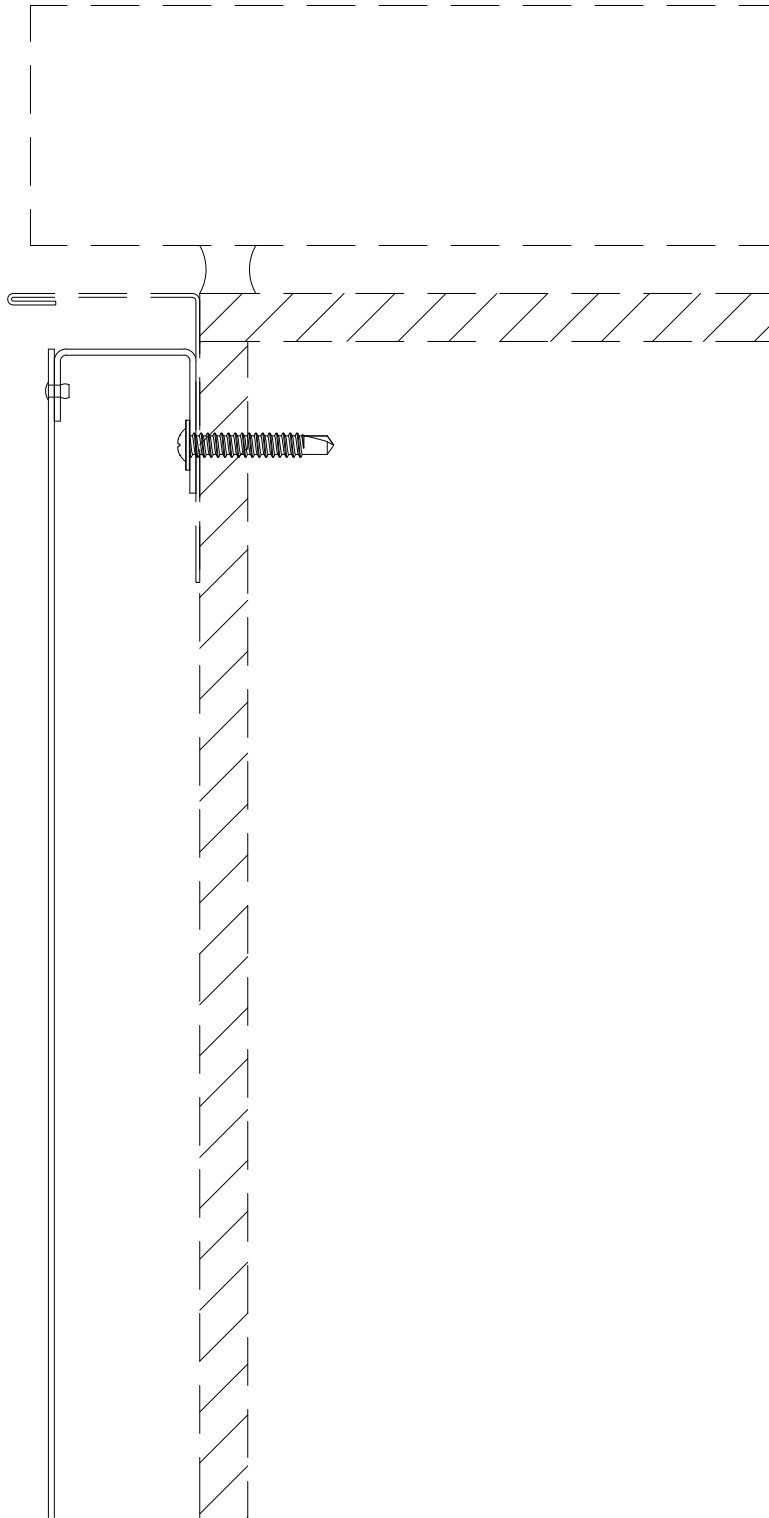
8 - Soffit to Fascia



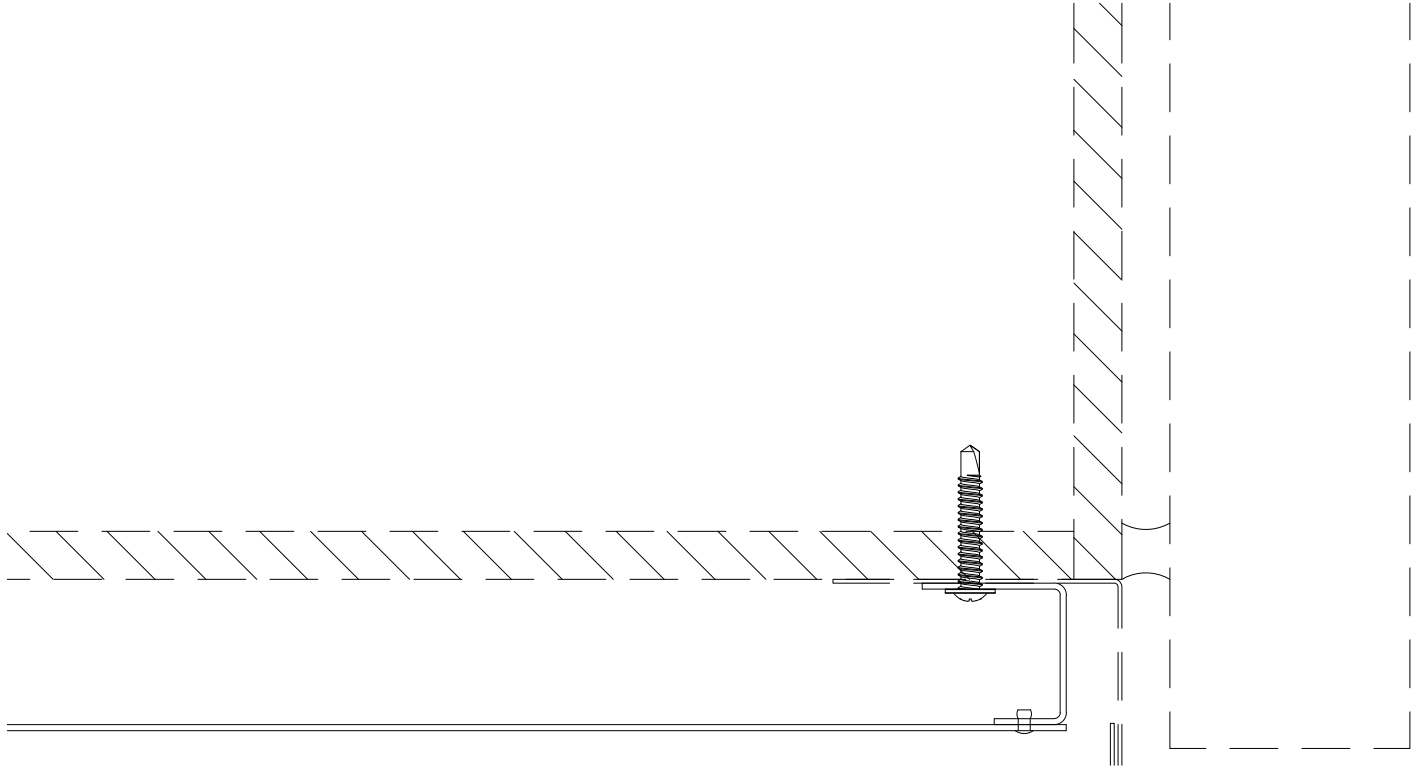
9 - Opening Header



10 - Opening Sill



11 - Opening Jamb



12 - End

